

PLEASE CHECK WWW.MOLEX.COM FOR LATEST PART INFORMATION

Part Number: [5031505009](#)
Status: **Active**
Description: 0.50mm Pitch FFC-to-Board Connector, Plug Jacket, 50 Circuits

Documents:

| | |
|---|--|
| 3D Model | Product Specification PS-501864-003-001 (PDF) |
| 3D Model (PDF) | Application Specification 5017832000-A00 (PDF) |
| Drawing (PDF) | Packaging Specification SPK-503150-001-001 (PDF) |
| Product Specification PS-501786-003-001 (PDF) | RoHS Certificate of Compliance (PDF) |
| Product Specification PS-501786-004-001 (PDF) | |

General

| | |
|----------------|------------------------------------|
| Product Family | Accessories |
| Series | 503150 |
| Comments | Requires a custom FFC with notches |
| Component Type | Jacket |
| Product Name | N/A |
| UPC | 800756937618 |

Physical

| | |
|-------------------------------|----------------|
| Circuits (Loaded) | 50 |
| Circuits (maximum) | 50 |
| Color - Resin | Black |
| Gender | Plug |
| Material - Resin | Polyester |
| Net Weight | 562.000/mg |
| Packaging Type | Bag |
| Polarized to Mating Part | Yes |
| Temperature Range - Operating | -40° to +105°C |

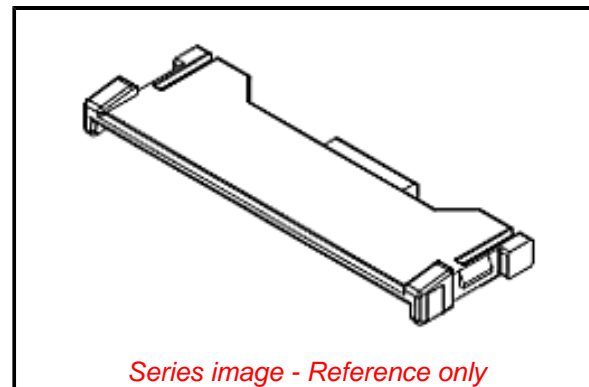
Electrical

| | |
|-------------------------------|------|
| Current - Maximum per Contact | 0.5A |
|-------------------------------|------|

Material Info

Reference - Drawing Numbers

| | |
|---------------------------|--|
| Application Specification | 5017832000-A00 |
| Packaging Specification | SPK-503150-001-001 |
| Product Specification | PS-501786-003-001, PS-501786-004-001, PS-501864-003-001 |
| Sales Drawing | SD-503150-001 |



EU ELV

Not Relevant

EU RoHS

Compliant

REACH SVHC

Not Contained Per -
D(2020)4578-DC (25
June 2020)

Halogen-Free

Status

Not Low-Halogen

For more information, please visit [Contact US](#)

China ROHS

ELV

RoHS Phthalates

China RoHS

Green Image

Not Relevant

Not Contained

Search Parts in this Series

[503150 Series](#)

Use With

[501786](#) FFC-to-Board Connector, [501864](#)
FFC-to-Board Connector, [503151](#) Plug
Jacket Cover