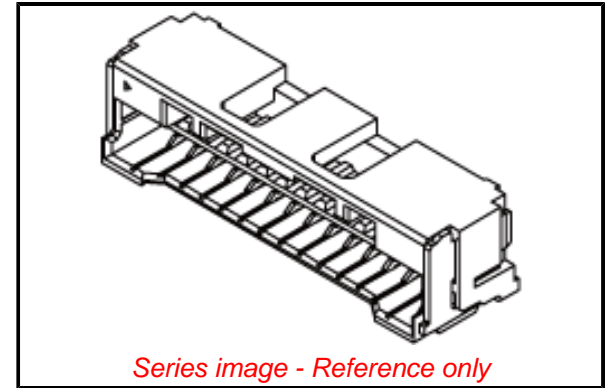


PLEASE CHECK WWW.MOLEX.COM FOR LATEST PART INFORMATION

Part Number: **5025850270**
Status: **Active**
Overview: CLIK-Mate™ Wire-to-Board Connectors
Description: 1.50mm Pitch CLIK-Mate™ Wire-to-Board PCB Receptacle, Single Row, Surface Mount, Right Angle, Tin Plating, 2 Circuits

Documents:

3D Model	Application Specification AS-502578-002-001 (PDF)
Drawing (PDF)	Packaging Specification SPK-502585-001-001 (PDF)
Product Specification PS-502584-001-001 (PDF)	RoHS Certificate of Compliance (PDF)
Application Specification AS-502578-001-001 (PDF)	



General

Product Family	PCB Receptacles
Series	502585
Application	Signal, Wire-to-Board
Overview	<u>CLIK-Mate™ Wire-to-Board Connectors</u>
Product Name	CLIK-Mate™
UPC	800756644585

Physical

Circuits (Loaded)	2
Circuits (maximum)	2
Color - Resin	Beige
Durability (mating cycles max)	30
Glow-Wire Compliant	No
Guide to Mating Part	Yes
Keying to Mating Part	Yes
Lock to Mating Part	Yes
Mated Height	6.40mm
Material - Metal	Copper Alloy
Material - Plating Mating	Tin
Net Weight	434.601/mg
Number of Rows	1
Orientation	Right Angle
PCB Locator	No
PCB Retention	Yes
Packaging Type	Embossed Tape on Reel
Pitch - Mating Interface	1.50mm
Polarized to Mating Part	Yes
Polarized to PCB	Yes
Stackable	No
Temperature Range - Operating	-40°C to +105°C
Termination Interface: Style	Surface Mount

Electrical

Current - Maximum per Contact	2.0A
Voltage - Maximum	100V

Material Info

Reference - Drawing Numbers

Application Specification	AS-502578-001-001, AS-502578-002-001
Packaging Specification	SPK-502585-001-001
Product Specification	PS-502584-001-001
Sales Drawing	SD-502585-001, SD-502585-002

EU ELV

Not Relevant

EU RoHS

Compliant

REACH SVHC

Not Contained Per -
ED/21/2016 (20 June
2016)

Halogen-Free

Status

Not Low-Halogen

**Need more information on product
environmental compliance?**

Email productcompliance@molex.com
Please visit the [Contact Us](#) section for any
non-product compliance questions.

China ROHS	Green Image
ELV	Not Relevant
RoHS Phthalates	Not Contained

Search Parts in this Series

[502585](#) Series

Mates With

[502578](#) Crimp Housing

This document was generated on 11/18/2016

PLEASE CHECK WWW.MOLEX.COM FOR LATEST PART INFORMATION