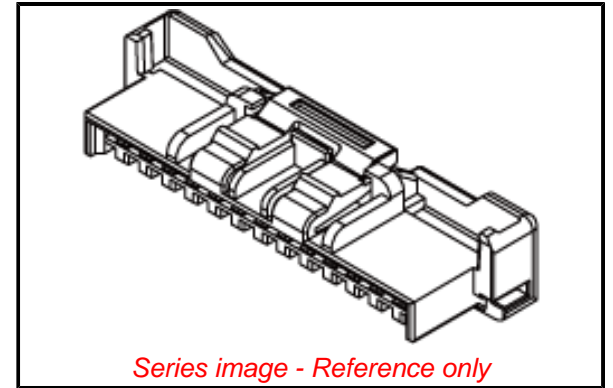


**PLEASE CHECK WWW.MOLEX.COM FOR LATEST PART INFORMATION**

**Part Number:** **5024390400**  
**Status:** **Active**  
**Overview:** CLIK-Mate™ Wire-to-Board Connectors  
**Description:** 2.00mm Pitch CLIK-Mate™ Wire-to-Board Housing, Single Row, Positive Lock, 4 Circuits

**Documents:**

<a href="#">3D Model</a>	<a href="#">Application Specification AS-502439-002-001 (PDF)</a>
<a href="#">Drawing (PDF)</a>	<a href="#">Packaging Specification 5024399200-200 (PDF)</a>
<a href="#">Product Specification 5024431570-000 (PDF)</a>	<a href="#">RoHS Certificate of Compliance (PDF)</a>
<a href="#">Application Specification AS-502439-001-001 (PDF)</a>	



**Agency Certification**

UL E29179

**General**

Product Family	Crimp Housings
Series	<u>502439</u>
Application	Signal, Wire-to-Board
Comments	See Product Specification for maximum current rating by circuit size and wire AWG
MolexKits	Yes
Overview	<u>CLIK-Mate™ Wire-to-Board Connectors</u>
Product Name	CLIK-Mate™
UPC	822350915823

**Physical**

Breakaway	No
Circuits (maximum)	4
Color - Resin	White
Gender	Plug
Glow-Wire Compliant	No
Keying to Mating Part	Yes
Lock to Mating Part	Yes
Material - Resin	PBT
Net Weight	397.000/mg
Number of Rows	1
Packaging Type	Bag
Panel Mount	No
Pitch - Mating Interface	2.00mm
Polarized to Mating Part	Yes
Stackable	No
Temperature Range - Operating	-40°C to +105°C

**Electrical**

Current - Maximum per Contact 3.0A

**Material Info**

**Reference - Drawing Numbers**

Application Specification	AS-502439-001-001, AS-502439-002-001
Packaging Specification	5024399200-200
Product Specification	5024431570-000
Sales Drawing	5024391500-000

**EU ELV**

**Not Relevant**

**EU RoHS**

**Compliant**

**REACH SVHC**

Not Contained Per - ED/21/2016 (20 June 2016)

**Halogen-Free**

**Status**

**Not Low-Halogen**

**Need more information on product environmental compliance?**

Email [productcompliance@molex.com](mailto:productcompliance@molex.com)  
Please visit the [Contact Us](#) section for any non-product compliance questions.

China ROHS

ELV

RoHS Phthalates

Green Image

Not Relevant

Not Contained

**Search Parts in this Series**

502439 Series

**Mates With**

502443 PCB Receptacle Vertical . 502494 PCB Receptacle Right Angle

**Use With**

502438 Crimp Terminal

**PLEASE CHECK [WWW.MOLEX.COM](http://WWW.MOLEX.COM) FOR LATEST PART INFORMATION**