

**PLEASE CHECK WWW.MOLEX.COM FOR LATEST PART INFORMATION**

**Part Number:** **5023810010**  
**Status:** **Active**  
**Overview:** CLIK-Mate™ Wire-to-Board Connectors  
**Description:** CLIK-Mate™ 1.25mm Pitch Wire-to-Board Crimp Terminal, Gold Plating, Reel

**Documents:**

[3D Model](#) [Product Specification PS-502382-002-001 \(PDF\)](#)  
[Drawing \(PDF\)](#) [RoHS Certificate of Compliance \(PDF\)](#)

**General**

Product Family	Crimp Terminals
Series	<u>502381</u>
Application	Signal
Crimp Quality Equipment	Yes
Overview	<u>CLIK-Mate™ Wire-to-Board Connectors</u>
Product Name	CLIK-Mate™
UPC	800756916392

**Physical**

Durability (mating cycles max)	30
Gender	Plug
Material - Metal	Copper Alloy
Material - Plating Mating	Gold over Nickel
Material - Plating Termination	Gold over Nickel
Net Weight	14.300/mg
Packaging Type	Reel
Plating min - Mating	0.102µm
Termination Interface: Style	Crimp or Compression
Wire Insulation Diameter	0.80-1.0mm
Wire Size AWG	26, 28
Wire Size mm²	0.08-0.13

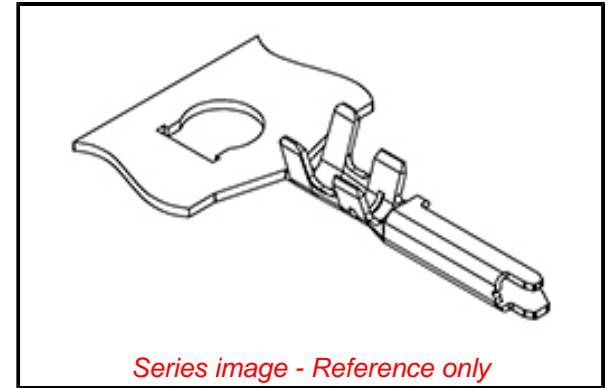
**Electrical**

Current - Maximum per Contact	1.0A
Voltage - Maximum	50V AC (RMS)/DC

**Material Info**

**Reference - Drawing Numbers**

Crimp Specification	CS-502381-001-001
Product Specification	PS-502382-002-001
Sales Drawing	SD-502381-002



**EU ELV**

**Not Relevant**

**EU RoHS**

**Compliant**

**REACH SVHC**

Not Contained Per -  
ED/21/2016 (20 June  
2016)

**Halogen-Free**

**Status**

**Low-Halogen**

**Need more information on product  
environmental compliance?**

Email [productcompliance@molex.com](mailto:productcompliance@molex.com)  
Please visit the [Contact Us](#) section for any  
non-product compliance questions.

China ROHS	Green Image
ELV	Not Relevant
RoHS Phthalates	Not Contained

**Search Parts in this Series**

[502381](#) Series

**Use With**

[502380](#) CLIK-Mate™ Housing