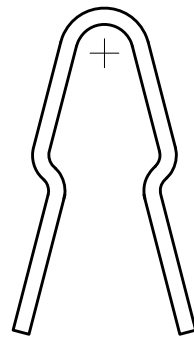
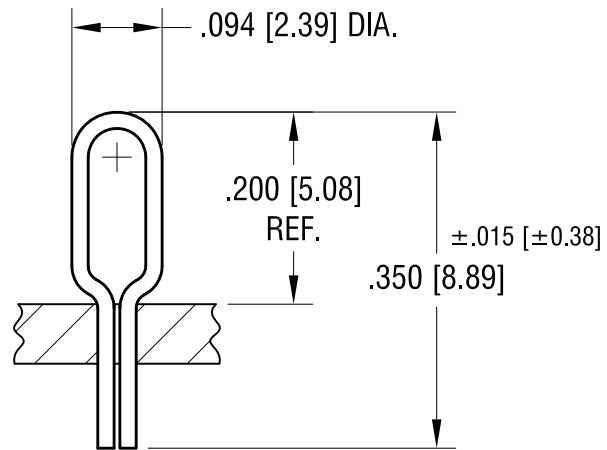


THIS DOCUMENT IS THE PROPERTY OF
KEYSTONE ELECTRONICS CORP. AND
SHALL NOT BE REPRODUCED, DISTRIBUTED
OR USED AS A BASIS FOR MANUFACTURE
WITHOUT PRIOR WRITTEN PERMISSION
FROM KEYSTONE ELECTRONICS CORP.

ACTUAL SIZE



SHOWN AS
SUPPLIED



SHOWN AS
INSTALLED INTO
.040 [1.02] DIA.
MOUNTING HOLE

4.25.14	CHANGE AS PER ECN 14-044	C
8.20.10	CHANGE AS PER ECN 10-061	B
6.20.08	CHANGE AS PER ECN 08-052	A
DATE	DESCRIPTION	REV.

KEYSTONE ELECTRONICS CORP.			
www.keyelco.com • NEW HYDE PARK, NY 11040 • Tel (516) 328-7500			
PART NAME			
THRU HOLE MOUNT UNINSULATED TEST POINT			
MATERIAL			
.016 [0.41] x 0.28 [0.71] PHOSPHOR BRONZE			
FINISH		DRN BY	DATE
SILVER PLATE		BOONE	5.26.05
		APP'D	SCALE
		RH	5X
TOLERANCES	INCH [MM]	CODE	DWG NO.
DECIMAL	± .005 [± 0.13]	C	5020
ANGULAR	± 1°		
UNLESS OTHERWISE SPECIFIED			