

PLEASE CHECK WWW.MOLEX.COM FOR LATEST PART INFORMATION

Part Number: [5019204001](#)
Status: **Active**
Overview: SlimStack Board-to-Board/Board-to-FPC Connectors
Description: 0.50mm Pitch SlimStack Board-to-Board Plug, Surface Mount, Dual Row, Vertical Stacking, 4.00mm Stack Height, without Solder Tabs, 40 Circuits

Documents:

3D Model	Product Specification PS-52991-008-001 (PDF)
3D Model (PDF)	Packaging Specification 5019209200-200 (PDF)
Drawing (PDF)	RoHS Certificate of Compliance (PDF)

Agency Certification

UL E29179

General

Product Family	PCB Headers
Series	501920
Application	Board-to-Board, Signal
Overview	SlimStack Board-to-Board/Board-to-FPC Connectors
Product Name	SlimStack
Series Name	0.5, BB H3/4
UPC	800756751757

Physical

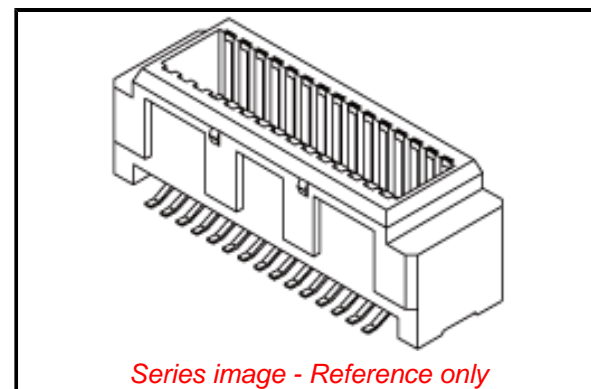
Breakaway	No
Circuits (Loaded)	40
Circuits (maximum)	40
Color - Resin	Black
Durability (mating cycles max)	30
Glow-Wire Capable	No
Guide to Mating Part	No
Keying to Mating Part	None
Lock to Mating Part	None
Mated Height	4.00mm
Mated Width	5.40mm
Material - Metal	Copper Alloy
Material - Plating Mating	Gold
Material - Plating Termination	Tin
Net Weight	122.900/mg
Number of Rows	2
Orientation	Vertical
PCB Locator	No
PCB Retention	None
Packaging Type	Embossed Tape on Reel
Pitch - Mating Interface	0.50mm
Polarized to Mating Part	No
Polarized to PCB	No
Surface Mount Compatible (SMC)	Yes
Temperature Range - Operating	-40° to +105°C
Termination Interface: Style	Surface Mount

Electrical

Current - Maximum per Contact	0.5A
Voltage - Maximum	50V AC (RMS)/DC

Material Info

Reference - Drawing Numbers



EU ELV

Not Relevant

EU RoHS

Compliant

REACH SVHC

Not Contained Per -
D(2020)4578-DC (25
June 2020)

Halogen-Free

Status

Low-Halogen

For more information, please visit [Contact US](#)

China ROHS

ELV

RoHS Phthalates

China RoHS

Green Image

Not Relevant

Not Contained

Search Parts in this Series

[501920](#) Series

Mates With

SlimStack Receptacle [52991](#) , [54167](#)

Packaging Specification
Product Specification
Sales Drawing

5019209200-200
PS-52991-008-001
SD-501920-001-001, SD-501920-002-001

This document was generated on 01/13/2021

PLEASE CHECK WWW.MOLEX.COM FOR LATEST PART INFORMATION