

PLEASE CHECK WWW.MOLEX.COM FOR LATEST PART INFORMATION

Part Number: **5016471000**
Status: **Active**
Overview: iGrid™ Wire-to-Board Dual-Row System
Description: 2.00mm Pitch iGrid™ Wire-to-Board Crimp Terminal, Female, 22-26 AWG, Reel

Documents:

[3D Model](#) [Packaging Specification 5016479200-200 \(PDF\)](#)
[Drawing \(PDF\)](#) [RoHS Certificate of Compliance \(PDF\)](#)
[Product Specification PS-501646-001-001 \(PDF\)](#)

General

Product Family	Crimp Terminals
Series	<u>501647</u>
Application	Signal
Crimp Quality Equipment	Yes
Overview	<u>iGrid™ Wire-to-Board Dual-Row System</u>
Packaging Alternative	<u>501647-1100 (Loose)</u>
Product Name	iGrid™
UPC	822350087308

Physical

Durability (mating cycles max)	30
Gender	Female
Material - Metal	Copper Alloy
Material - Plating Mating	Tin
Net Weight	76.000/mg
Packaging Type	Reel
Termination Interface: Style	Crimp or Compression
Wire Insulation Diameter	0.95-1.50mm
Wire Size AWG	22, 24, 26
Wire Size mm²	0.124-0.34

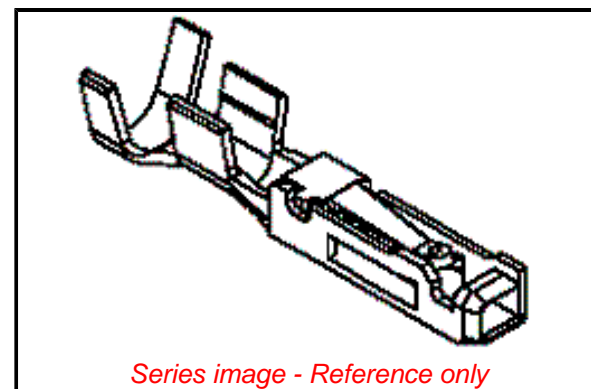
Electrical

Current - Maximum per Contact	2.0A
Voltage - Maximum	250V AC (RMS)/DC

Material Info

Reference - Drawing Numbers

Crimp Specification	CS-501647-001-001
Packaging Specification	5016479200-200
Product Specification	PS-501646-001-001
Sales Drawing	SD-501647-001



EU ELV

Not Relevant

EU RoHS

Compliant

REACH SVHC

Not Contained Per -
ED/21/2016 (20 June
2016)

Halogen-Free

Status

Low-Halogen

**Need more information on product
environmental compliance?**

Email productcompliance@molex.com
Please visit the [Contact Us](#) section for any
non-product compliance questions.

China ROHS	Green Image
ELV	Not Relevant
RoHS Phthalates	Not Contained

Search Parts in this Series

[501647 Series](#)

Mates With

[501645 Vertical Header](#) . [501676 Right
Angle Header](#)

Use With

[501646 Receptacle Housing](#)

Application Tooling | [FAQ](#)

*Tooling specifications and manuals are
found by selecting the products below.
Crimp Height Specifications are then
contained in the Application Tooling
Specification document.*

Global

Description	Product #
--------------------	------------------

Hand Crimp Tool for 0638192300
2.00mm Pitch Wire-
to-Board Terminals
Manual Extraction 0638131500
Tool
T2 Terminator 0638587000
Tooling Die
FineAdjust™ 0638687000
Applicator

Japan
Description **Product #**

Applicator for M211A 5780213000
Bench Press, 22-26
AWG Wire
Side-Feed Applicator 5780213200
for Fully-Auto
Machine, 22-26
AWG Wire

This document was generated on 11/18/2016

PLEASE CHECK WWW.MOLEX.COM FOR LATEST PART INFORMATION