

**PLEASE CHECK WWW.MOLEX.COM FOR LATEST PART INFORMATION**

**Part Number:** [5016452020](#)  
**Status:** **Active**  
**Overview:** [iGrid™ Wire-to-Board Dual-Row System](#)  
**Description:** 2.00mm Pitch iGrid™ Wire-to-Board Header, Dual Row, Vertical, with PCB Locator, 20 Circuits

**Documents:**

[3D Model](#) [Packaging Specification SPK-501645-001-001 \(PDF\)](#)  
[Drawing \(PDF\)](#) [RoHS Certificate of Compliance \(PDF\)](#)  
[Product Specification PS-501646-001-001 \(PDF\)](#)

**Agency Certification**

UL E29179

**General**

Product Family PCB Headers  
 Series [501645](#)  
 Application Signal, Wire-to-Board  
 MolexKits Yes  
 Overview [iGrid™ Wire-to-Board Dual-Row System](#)  
 Product Name iGrid™  
 UPC 822350299183

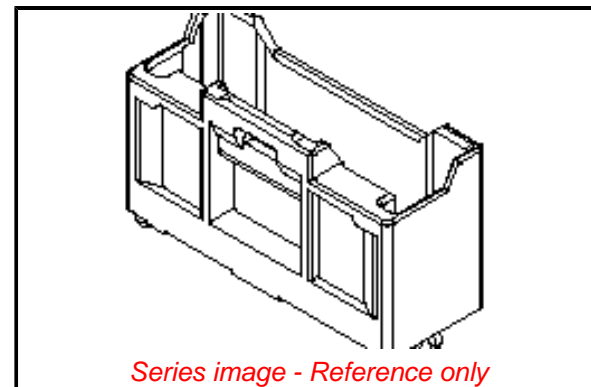
**Physical**

Breakaway No  
 Circuits (Loaded) 20  
 Circuits (maximum) 20  
 Color - Resin Natural  
 Durability (mating cycles max) 30  
 Flammability 94V-0  
 Glow-Wire Compliant No  
 Keying to Mating Part Yes  
 Lock to Mating Part Yes  
 Material - Metal Brass  
 Material - Plating Mating Tin  
 Material - Plating Termination Tin  
 Material - Resin Nylon  
 Net Weight 1238.000/mg  
 Number of Rows 2  
 Orientation Vertical  
 PC Tail Length 3.20mm  
 PCB Locator Yes  
 PCB Retention None  
 PCB Thickness - Recommended 1.20mm, 1.60mm  
 Packaging Type Tray  
 Pitch - Mating Interface 2.00mm  
 Polarized to Mating Part Yes  
 Polarized to PCB Yes  
 Stackable No  
 Surface Mount Compatible (SMC) No  
 Temperature Range - Operating -40°C to +105°C  
 Termination Interface: Style Through Hole

**Electrical**

Current - Maximum per Contact 2.0A  
 Voltage - Maximum 250V AC (RMS)/DC

**Material Info**



**EU ELV**

**Not Relevant**

**EU RoHS**

**Compliant**

**REACH SVHC**

Not Contained Per -  
 ED/21/2016 (20 June  
 2016)

**Halogen-Free**

**Status**

**Not Low-Halogen**

**Need more information on product  
 environmental compliance?**

Email [productcompliance@molex.com](mailto:productcompliance@molex.com)  
 Please visit the [Contact Us](#) section for any  
 non-product compliance questions.

China ROHS

ELV

RoHS Phthalates

**China RoHS**

Green Image

Not Relevant

Not Contained

**Search Parts in this Series**

[501645](#) Series

**Mates With**

[501646](#) Housing, [501647](#) Crimp Terminal  
 22-26 AWG, [501648](#) Crimp Terminal 26-28  
 AWG

**Reference - Drawing Numbers**

Packaging Specification

Product Specification

Sales Drawing

SPK-501645-001-001

PS-501646-001-001

SD-501645-001

This document was generated on 11/18/2016

**PLEASE CHECK [WWW.MOLEX.COM](http://WWW.MOLEX.COM) FOR LATEST PART INFORMATION**