

6 5 4 3 2 1

E

E

ONLY FOR CUSTOMER REFERENCE

D

D

C

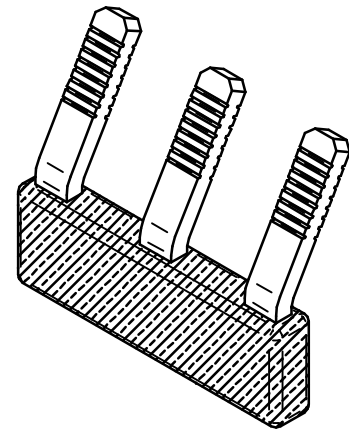
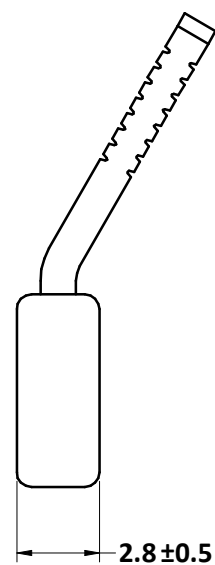
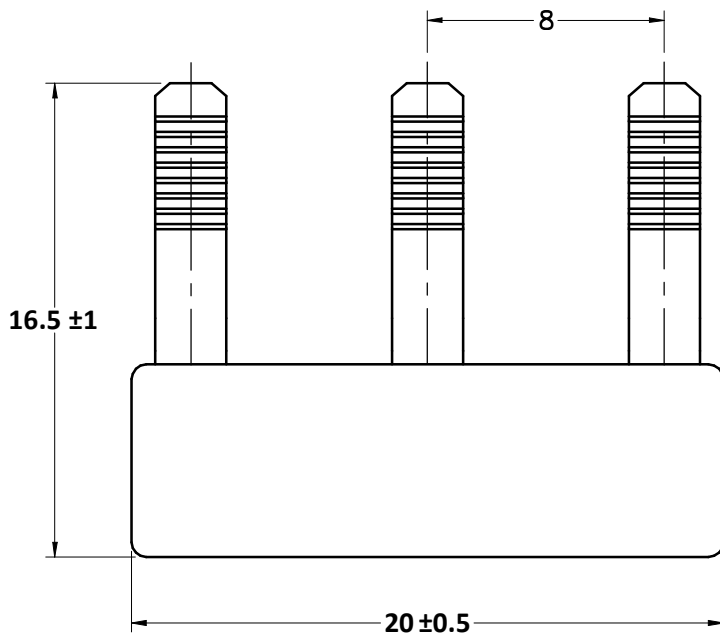
C

B

B

A

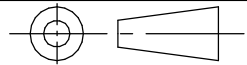
A



MATERIAL		.	A4
UNLESS OTHERWISE STATED Tolerance: ± 0.1 , Draft should not exceed $1/2^\circ$			
NO.	ZONE	REVISION	DATE



ALL DIMENSIONS ARE IN MM
UNLESS OTHERWISE SPECIFIED



CA711/3

	NAME	DATE	SCALE	1:1
DRN	S.G.G.	08.05.19	DRAWING NO.	
CHD	M.J.A.	09.05.19	CA603190	
APPD	D.S.	09.05.19		

6 5 4 3 2 1

Mouser Electronics

Authorized Distributor

Click to View Pricing, Inventory, Delivery & Lifecycle Information:

[Altech:](#)

[CA711/3](#)