

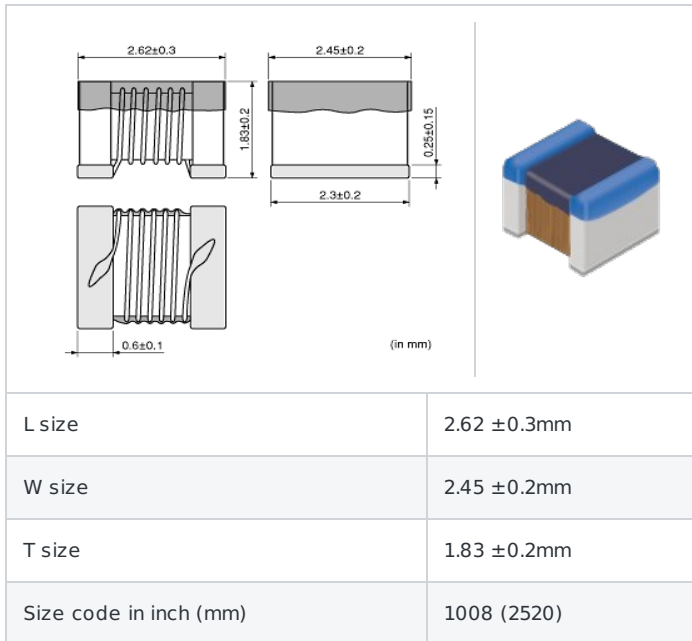
LQW2UAS4R7J00#

"#" indicates a package specification code.



< List of part numbers with package codes >
LQW2UAS4R7J00L , LQW2UAS4R7J00B

Shape



References

Packaging code	Specifications	Minimum quantity
L	φ 180mm Embossed taping	2000
B	Packing in bulk	500

Mass (Typ.)	
1 piece	0.039g

Specifications

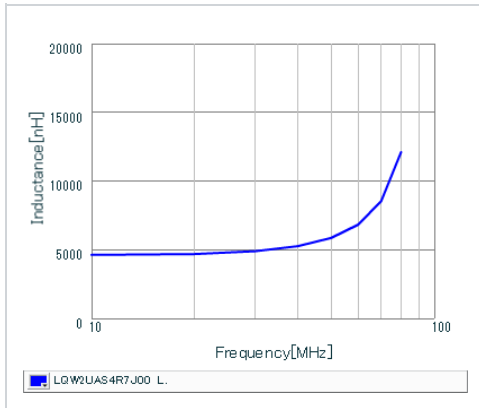
Inductance	4700nH ±5%
Inductance test frequency	7.9MHz
Rated current (Itemp) (Based on Temperature rise)	260mA
Max. of DC resistance	4.0Ω
Q (min.)	20
Q test frequency	25MHz
Self resonance frequency (min.)	60MHz
Operating temperature range (Self-temperature rise is not included)	-55~125°C
Class of magnetic shield	No magnetic shield

⚠ Attention

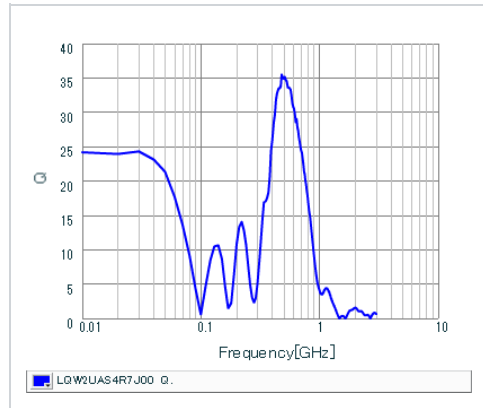
- 1.This datasheet is downloaded from the website of Murata Manufacturing Co., Ltd. Therefore, it's specifications are subject to change or our products in it may be discontinued without advance notice. Please check with our sales representatives or product engineers before ordering.
- 2.This datasheet has only typical specifications because there is no space for detailed specifications. Therefore, please review our product specifications or consult the approval sheet for product specifications before ordering.

Chart of characteristic data (The charts below may show another part number which shares its characteristics.)

Inductance-Frequency characteristics (Typ.)



Q-Frequency characteristics (Typ.)



Attention

1. This datasheet is downloaded from the website of Murata Manufacturing Co., Ltd. Therefore, its specifications are subject to change or our products in it may be discontinued without advance notice. Please check with our sales representatives or product engineers before ordering.
2. This datasheet has only typical specifications because there is no space for detailed specifications. Therefore, please review our product specifications or consult the approval sheet for product specifications before ordering.