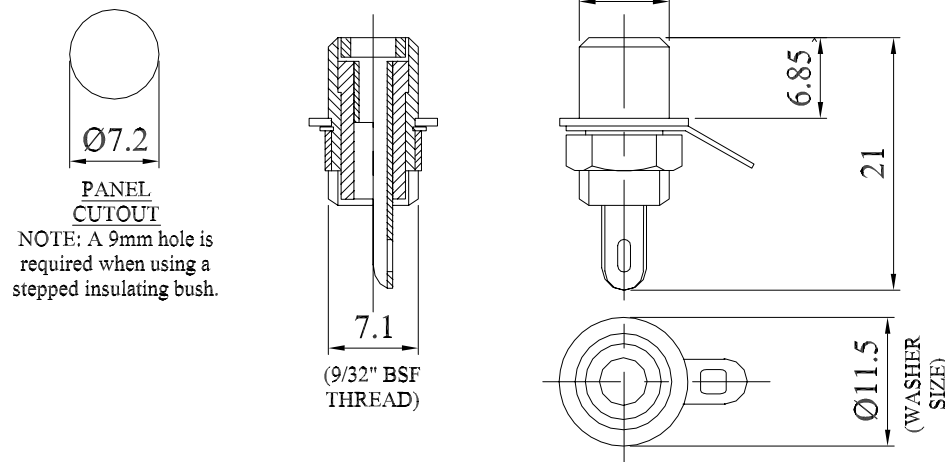


A turned brass single nut fixing panel socket available in nickel or gold plated finish. A choice of red or black insulator is useful for identification purposes.

- Single nut fixing makes these adaptable sockets suitable for stacking adjacent to one another.
- Thermoplastic insulated.
- Maximum panel thickness 3mm
- Mounting holes 7.2mm diameter.
- A panel isolating kit is also available (comprising of a plain and stepped washer).

|                       |                                                           |
|-----------------------|-----------------------------------------------------------|
| Material Housing      | Brass<br>gold flash (0.05m)<br>or nickel plate            |
| Socket                | Brass,<br>silver plated                                   |
| Insulation Nut        | Acetal<br>Brass,<br>Gold flash (0.05m)<br>or nickel plate |
| Solder tag            | Brass,<br>Gold flash (0.05m)<br>or tin lead plate         |
| Washer                | Noryl, black or red                                       |
| Ratings               | 5 Amps at 200 Vdc/150 Vac max                             |
| Insulation Resistance | 100MΩ at 500 Vdc                                          |

**Dimensions**



| Deltron Part No | NICKEL   | GOLD     |
|-----------------|----------|----------|
| BLACK           | 431-0100 | 432-0100 |
| RED             | 431-0500 | 432-0500 |

CONVERTED FROM PS0461 ISS3 (17.03.97) IN JAN 2003

|                           |                                             |                                                   |
|---------------------------|---------------------------------------------|---------------------------------------------------|
| DrgNo 431-432             | TITLE PROFESSIONAL PANEL SOCKET (443 RANGE) | ALL DIMENSIONS IN MM<br>ANGLES IN DECIMAL DEGREES |
| <b>DELTRON Components</b> | GENERAL SPECIFICATION FOR 431-432           | CUSTOMER FILTER REF                               |
| ISSUE 3                   | Aprvd Date 27/01/03                         | Aprvd By MC                                       |
|                           | Drwn by BFS                                 | Scale: NTS                                        |
|                           |                                             | Sheet 1 / 1                                       |



# Mouser Electronics

Authorized Distributor

Click to View Pricing, Inventory, Delivery & Lifecycle Information:

[Deltron:](#)

[431-0100](#) [432-0100](#) [431-0500](#)