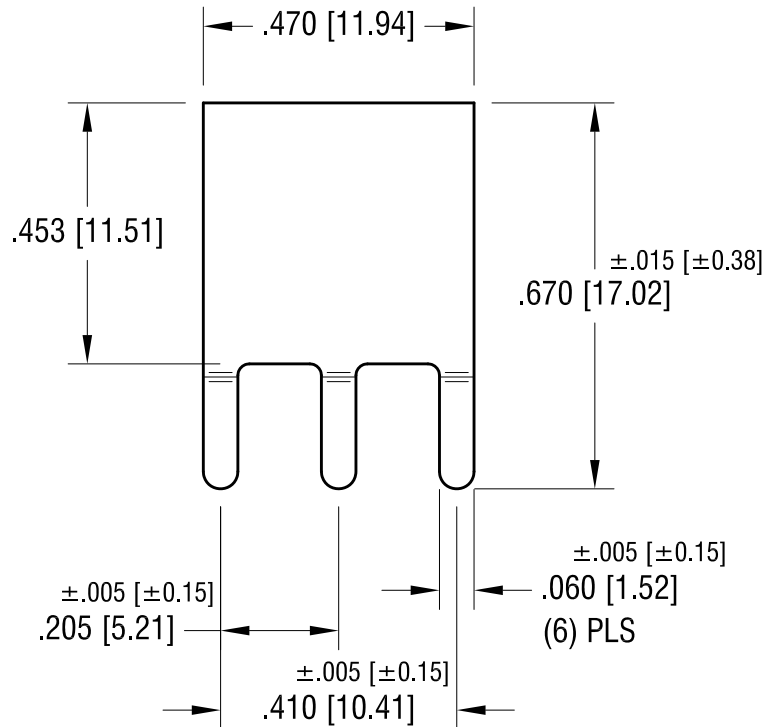
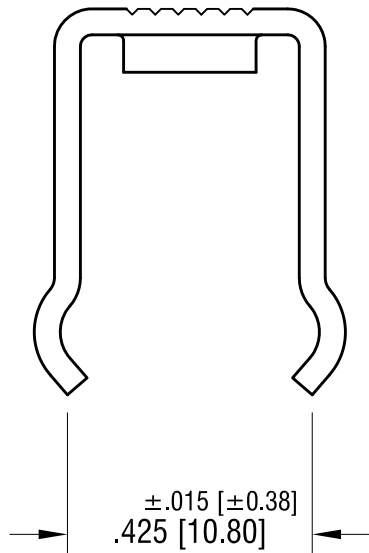
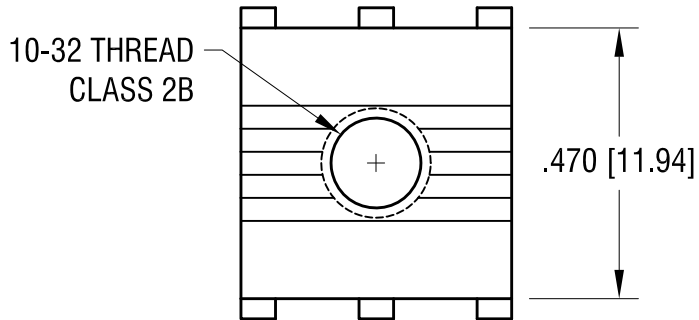
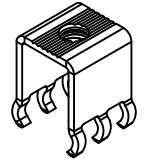
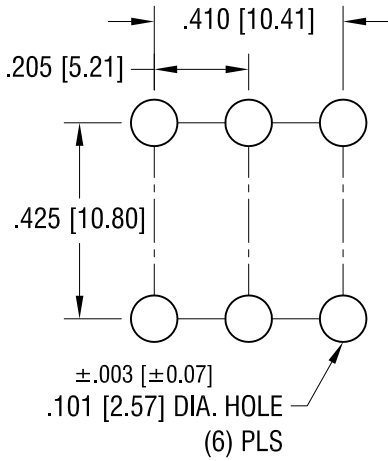


THIS DOCUMENT IS THE PROPERTY OF KEYSTONE ELECTRONICS CORP. AND SHALL NOT BE REPRODUCED, DISTRIBUTED OR USED AS A BASIS FOR MANUFACTURE WITHOUT PRIOR WRITTEN PERMISSION FROM KEYSTONE ELECTRONICS CORP.

**MOUNTING DETAIL**



**KEYSTONE ELECTRONICS CORP.**

www.keyelco.com • ASTORIA, N.Y. 11105-2017 • Tel (718) 956-8900

3.01.16	CHANGE AS PER ECN 16-036	D
7.14.09	CHANGE AS PER ECN 09-101	C
4.9.03	CHANGE AS PER ECN 03-029	B
5.15.02	CHANGE AS PER ECN 02-045	A
DATE	DESCRIPTION	REV.

<b>PART NAME</b>				PC SCREW TERMINAL	
<b>MATERIAL</b>				.045 [1.14] TH'K BRASS	
<b>FINISH</b>				DRN BY	BOONE
MATTE TIN PLATE				DATE	9.24.01
				APP'D	LN
				SCALE	3X
<b>TOLERANCES</b>				DWG NO.	
INCH [MM]				C	
DECIMAL ±.010 [±0.25]				7787	
ANGULAR ± 1°					
UNLESS OTHERWISE SPECIFIED					

# Mouser Electronics

Authorized Distributor

Click to View Pricing, Inventory, Delivery & Lifecycle Information:

[Keystone Electronics:](#)

[7787](#)