

4

3

2

1

D

D

C

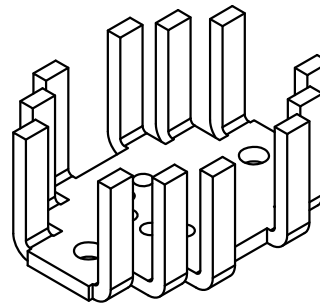
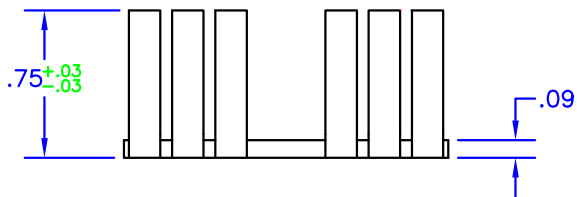
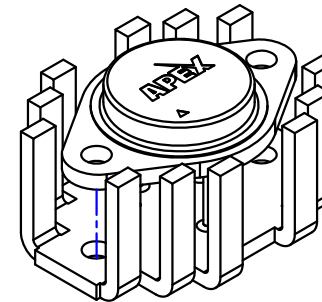
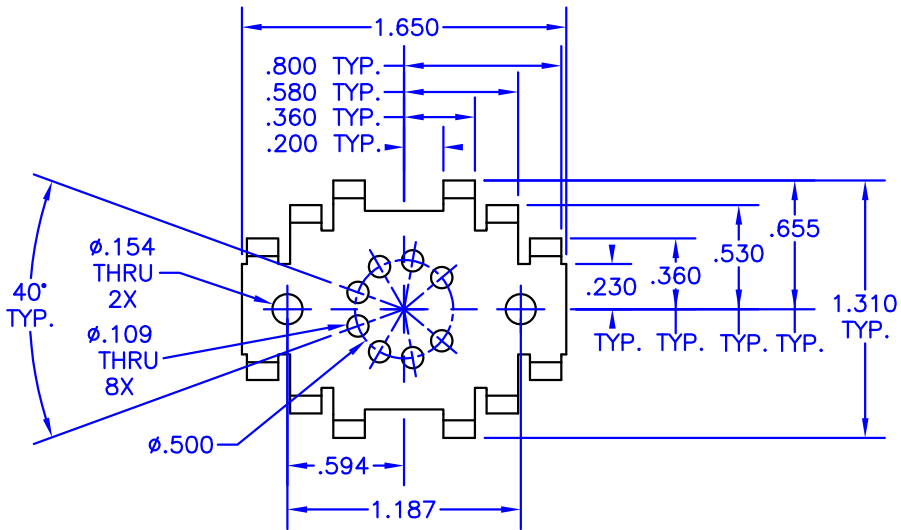
C

B

B

A

A



**NOTES:**

1. Unless otherwise noted, all dimensions are in inches.
2. Break all sharp edges, de-burr & remove loose chips.
3. Material: Aluminum alloy.
4. Finish: Anodize per MIL-A-8625, Type II, Class 2, Black  
Typical breakdown voltage > 300V.
5. Mark with contrasting ink as shown, if specified by P.O.
6. Approximate Weight: 0.4 oz [11g].
7. Vendor: Aavid Thermalloy Extrusion 329241.
8. Thermal rating: 11.7 °C/W

TOLERANCES - UNLESS OTHERWISE SPECIFIED

.XX = ±.01 [.254]  
.XXX = ±.005 [.127]  
ANG. = ±5°



TITLE:

HEATSINK, T03

MODEL:

HS09

SUBJECT:

MECHANICAL DRAWING

ENGINEER: D-M

DRAWN BY: RMOR

DCA: 14295

SH. 1 OF 1

FILENAME: HS09

REV: H

DATE: 02SEP14

4

3

2

1

THIS PAGE LEFT BLANK

# Mouser Electronics

Authorized Distributor

Click to View Pricing, Inventory, Delivery & Lifecycle Information:

[Apex Microtechnology:](#)

[HS09](#)