

2.54mm pitch, 0.64 unsealed connector for automotive corresponding to the surface mounting.

Features

●Miniaturization

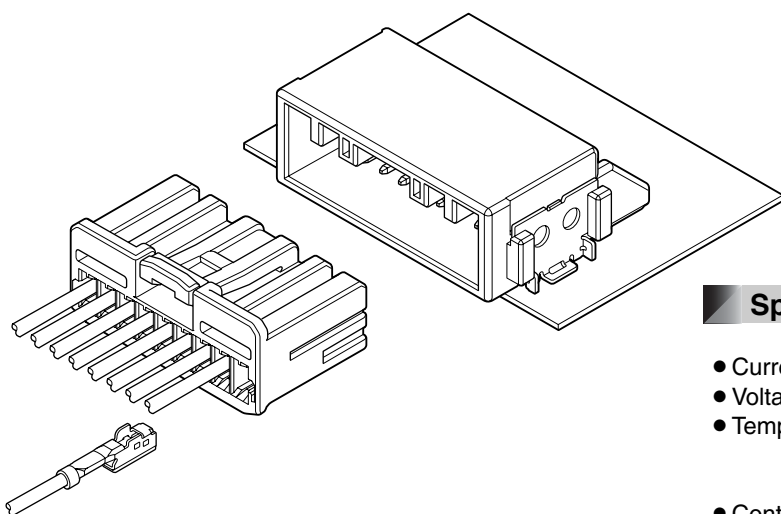
Using the short length female terminal, the miniaturization is realized.

●Surface mounting

Corresponding to the surface mounting (lead-free), mounting workability is improved.

●Reliability

High reliability ensures by using proven female terminal in the automotive electrical equipment.

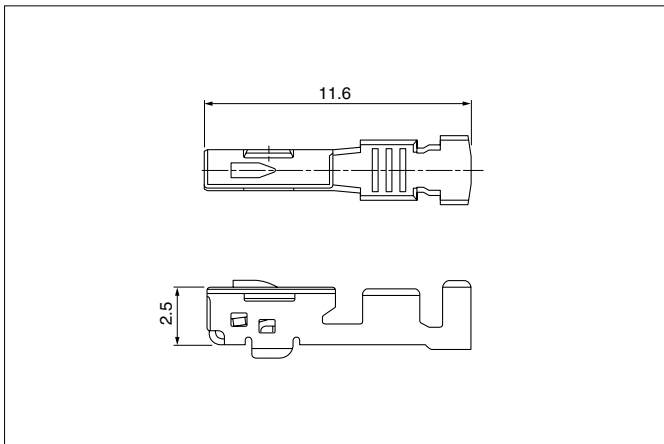


Specifications

- Current rating: 5A AC, DC (0.5mm², Single circuit)
- Voltage rating: 50V AC, DC
- Temperature range: -40°C to +120°C
(including temperature rise in applying electrical current)
- Contact resistance: Initial value/10mΩ max.
After environmental testing/20mΩ max.
- Applicable wire: AVSS
0.3mm² to 0.5mm²

- * Compliant with ELV/RoHS.
- * Contact JST for details.

Female terminal

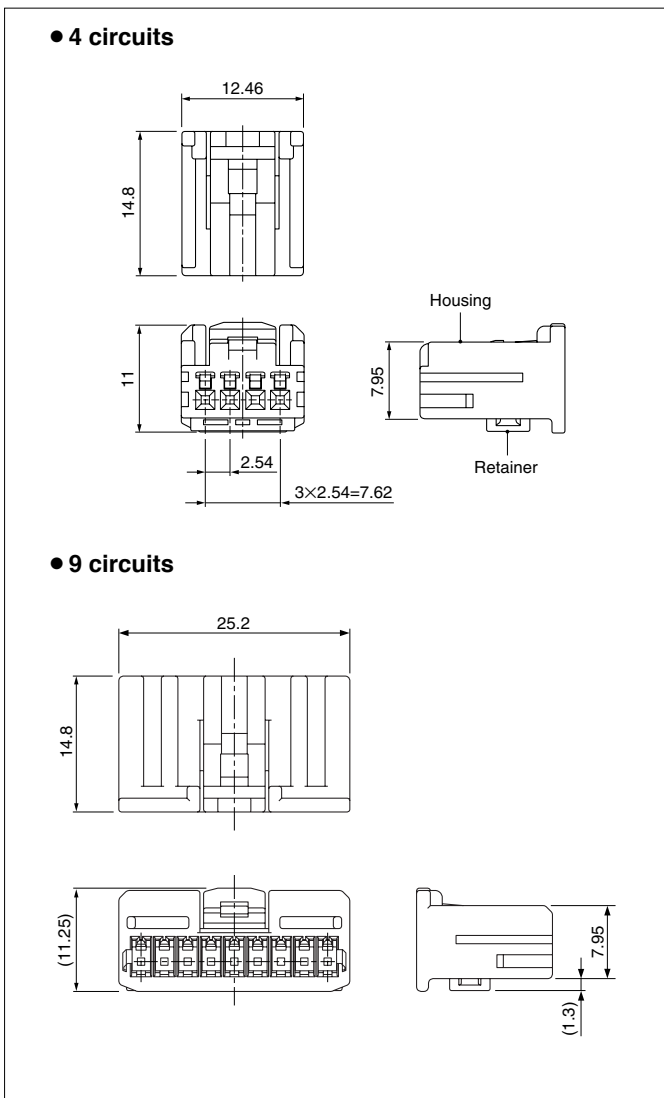


Model No.	Applicable wire range		Q'ty/reel
	Conductor (mm ²)	Insulation O.D. (mm)	
SHCM-A03T-P025	0.3 to 0.5	1.4 to 1.8	5,000

Material and Finish

Copper alloy, tin-plated (reflow treatment)

Female connector



Circuits	Model No.	Q'ty/box
4	HCMPB-04-K	600
9	HCHFB-09-KE	300

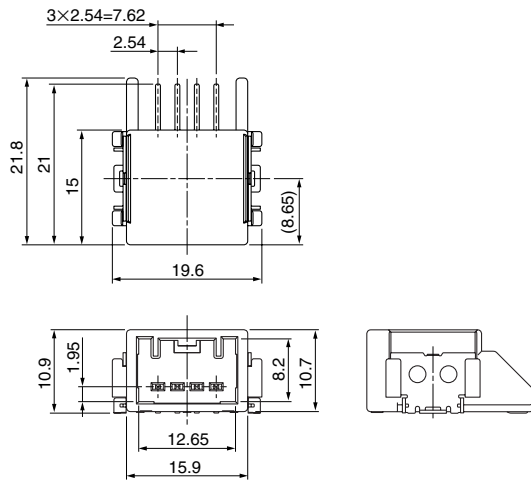
Material

Housing: PBT, black
Retainer: PBT, blue

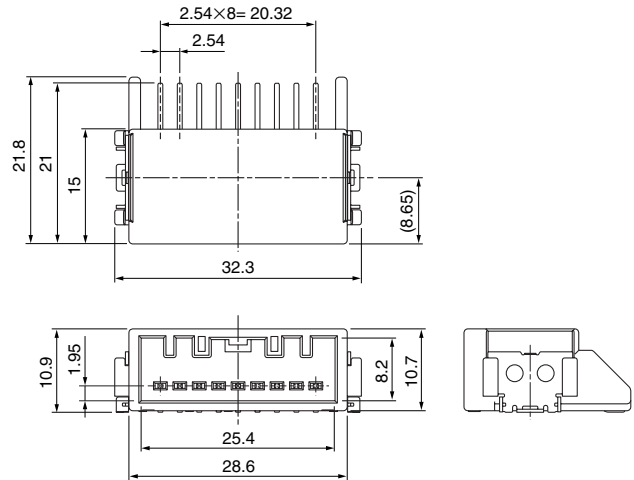
HCH CONNECTOR

Male connector

● 4 circuits



● 9 circuits



Circuits	Model No.	Q'ty/reel
4	SM04B-HCHK-TB	220
9	SM09B-HCHK-TB	220

Material and Finish

Housing: Glass-filled LCP, black

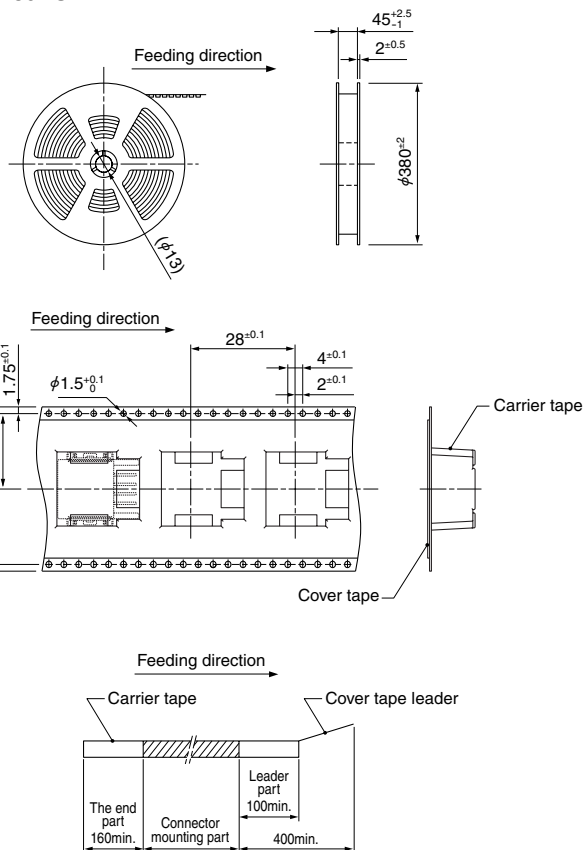
Terminal: Brass, nickel-undercoated, tin-plated

Reinforcing tab: Brass, nickel-undercoated, tin-plated

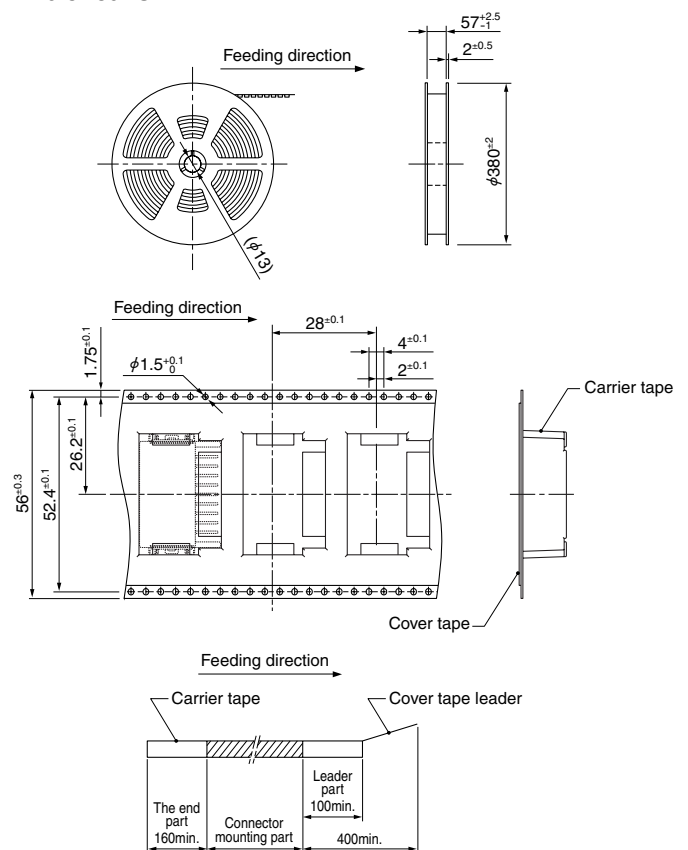
Note: This product displays (LF)(SN) on a label.

Taping Specifications

● 4 circuits

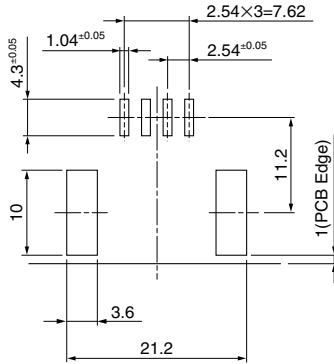


● 9 circuits

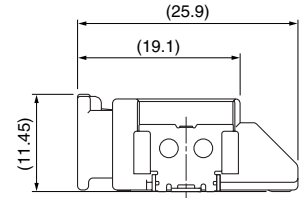
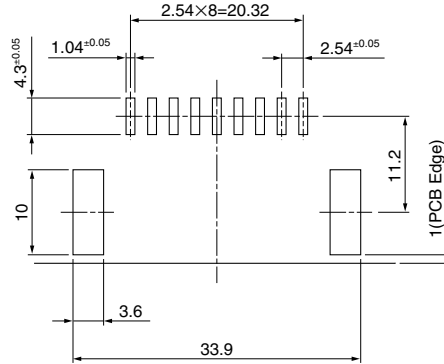


PC board layout, Assembly layout

● 4 circuits



● 9 circuits



Note: 1. Tolerances are non-cumulative: $\pm 0.05\text{mm}$ for all centers.

2. The dimensions above should serve as guideline. Contact JST for details.

Crimping machine, Applicator

Strip terminal	Crimping machine	Crimp applicator MKS-L	
		Dies	Crimp applicator with dies
SHCM-A03T-P025	AP-K2N	MK/SHCM-A03-025	APLMK SHCM-A03-025

Note: When crimping operation is conducted using an applicator and die set other than the above, JST cannot guarantee the performance of the terminal.

Mouser Electronics

Authorized Distributor

Click to View Pricing, Inventory, Delivery & Lifecycle Information:

JST:

[HCHFB-09-KE](#) [SM09B-HCHK-TB \(LF\)\(SN\)](#) [SM04B-HCHK-TB \(LF\)\(SN\)](#)