

REVISIONS			
REV	DESCRIPTION	DATE	APPROVED

**ELECTRICAL SPECIFICATIONS**

Frequency: 1.000 MHz  
 Frequency Tolerance (Ref @ +25°C): ± 100 ppm Max.  
 Frequency Stability (0 to +60°C): ± 100 ppm Max.  
 Crystal Cut: SL  
 Load Capacitance (CL): 13 pF  
 Recommended Drive Level: 500 µW Max.  
 Effective Series Resistance: 3000 Ω Max.  
 Insulation Resistance: 500 Megaohms Min. @ 100 Vdc  
 Shunt Capacitance: 7 pF Max.  
 Mode of Operation: Fundamental  
 Aging: ± 10 ppm/year Max.  
 Storage Temperature: -30 to +85°C  
 Operating Temperature: 0 to +60°C  
 Package Type: HC-49U

**Dimensions (mm)**

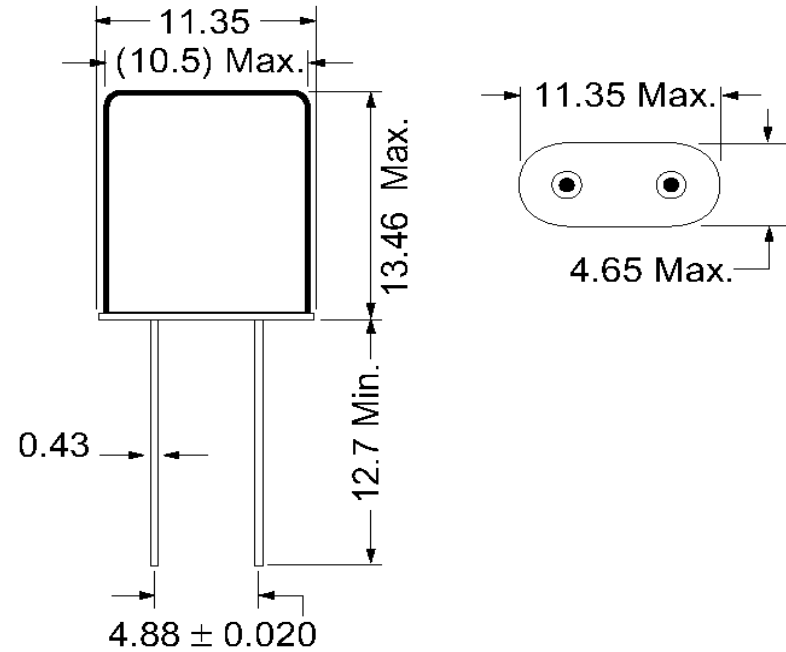


Figure 1) Side and bottom view

**ECS Part Number: ECS-10-13-1XH**



ECS INC. INTERNATIONAL  
 1105 S. Ridgeview  
 Olathe, KS 66062  
 (913) 782-7787

SIGNATURES	DATE
DRN <b>MR</b>	4/18/2007
CHK <b>DK</b>	4/18/2007
APP <b>BS</b>	4/18/2007

TITLE  
**1.000 MHz Crystal, HC-49U**  
**13 pF Load Capacitance, SL Cut**

SIZE A	DWG NO. ECS-10-13-1XH	REV -
-----------	-----------------------	----------

# Mouser Electronics

Authorized Distributor

Click to View Pricing, Inventory, Delivery & Lifecycle Information:

[ECS:](#)

[ECS-10-13-1XH](#)