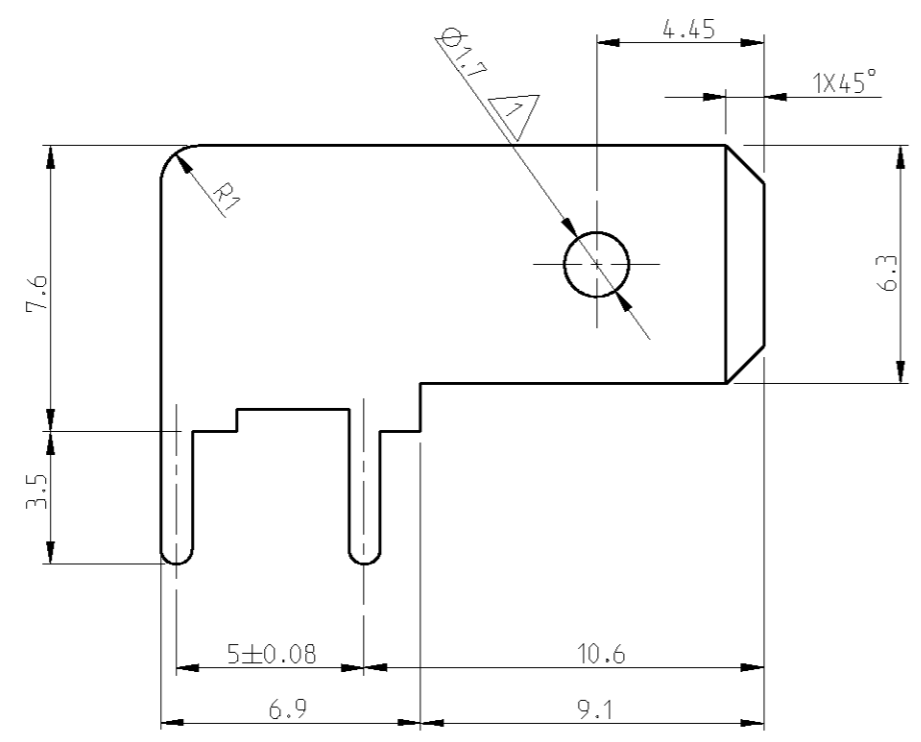
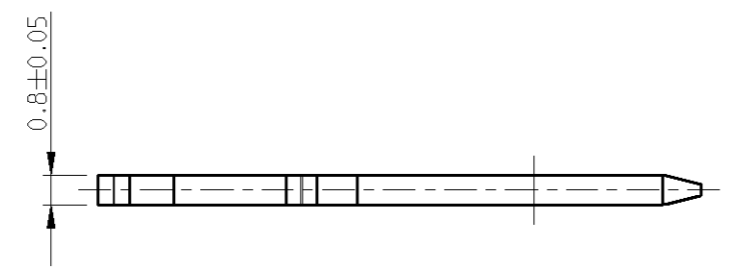


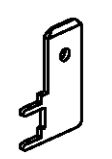
THIS DRAWING IS UNPUBLISHED. RELEASED FOR PUBLICATION 1987
 © COPYRIGHT 1987 BY TYCO ELECTRONICS CORPORATION. ALL RIGHTS RESERVED.

| LOC | DIST | REVISIONS | | | | | |
|-----|------|-----------|-----|-------------|-----------|-----|------|
| | | P | LTR | DESCRIPTION | DATE | DWN | APVD |
| A1 | - | | A | NEW DRAWING | 06-Okt-07 | DMK | TG |
| | | | | | | | |
| | | | | | | | |



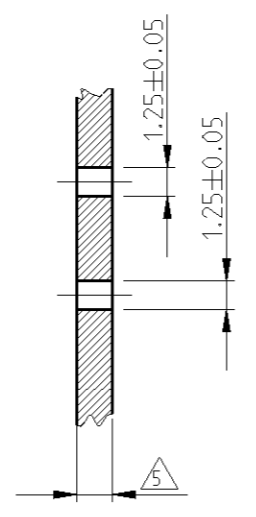
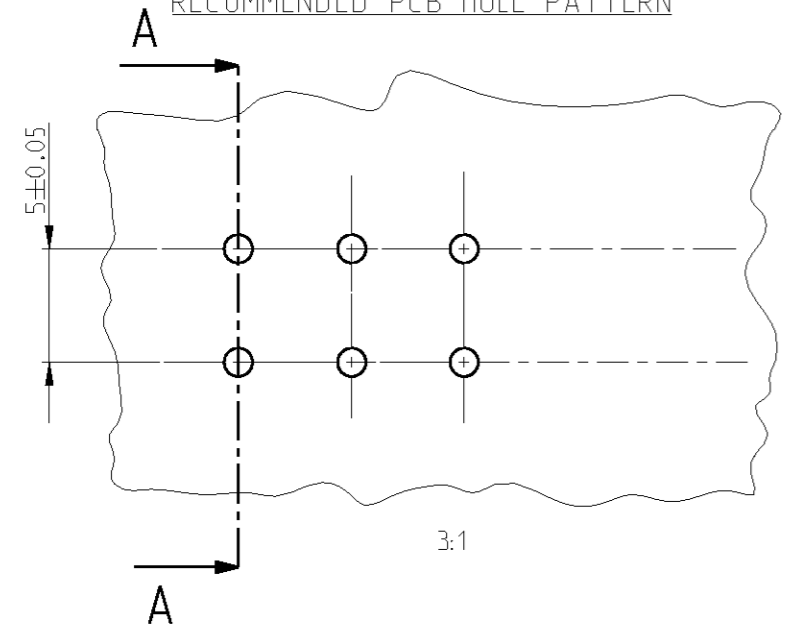
NOTES/BEMERKUNG

- 1 AUSFÜHRUNG 928814-4/-5/-6 OHNE LOCH
EXECUTION 928814-4/-5/-6 WITHOUT HOLE
- 2 3-7 µm Sn ÜBER 0.8 -1.5 µm Ni
3-7 µm Sn OVER 0.8-1.5 µm Ni
- 3 4-8 µm Sn
4-8 µm Sn
- 4 ANLIEFERUNGSZUSTAND: EINZELWARE IN VERSANDKARTON
DELIVERED STATE : LOOSE PIECE IN CORRUGATED SHIPPING BOX
- 5 LEITERPLATTENDICKE NACH EN 60249-2-4. TABELLE 3
PCB-THICKNESS TO EN 60249-2-4. TABLE 3



SCALE 1:1

EMPFOHLENES LEITERPLATTEN LOCHBILD
RECOMMENDED PCB HOLE PATTERN



| 1 | FINISH | MATERIAL | PART NO | REV |
|---|--------|----------|----------|-----|
| | BLANK | Cu Zn 30 | 928814-6 | A |
| | | | 928814-5 | A |
| | | | 928814-4 | A |
| | BLANK | | 928814-3 | A |
| | | | 928814-2 | A |
| | | Cu Zn 30 | 928814-1 | A |

| | | | |
|--|---|---|--|
| THIS DRAWING IS A CONTROLLED DOCUMENT FOR TYCO ELECTRONICS CORPORATION IT IS SUBJECT TO CHANGE AND THE CONTROLLING ENGINEERING ORGANIZATION SHOULD BE CONTACTED FOR THE LATEST REVISION. | | DWN 06-Sep-07 Dhanesh CHK 04-Okt-07 W.Hoffman APVD - Gerlach PRODUCT SPEC - APPLICATION SPEC - WEIGHT - CUSTOMER DRAWING | TYCO ELECTRONICS AMP GmbH D-64625, Bensheim, Germany SOLDER TAB 6.3x0.8 FOR PCB SIZE A3 CAGE CODE - DRAWING NO C-928814 RESTRICTED TO - SCALE 2:1 SHEET 1 OF 1 REV A |
| DIMENSIONS: mm | TOLERANCES UNLESS OTHERWISE SPECIFIED: ±0.2 ANGLE ±2° FINISH SEE TABLE | MATERIAL SEE TABLE | Tyco Electronics AMP 1470-19 REV 31MAR2000 |