



Search by part # or keyword

[Products](#)

[Industries & Solutions](#)

[Resources](#)

[TE Store](#)

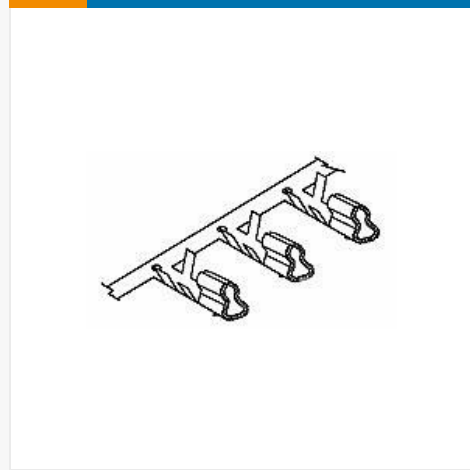
[Sign In](#)



[Connectors](#) > [PCB Connectors](#) > [Wire-To-Board Connectors](#) > [Wire-To-Board Connector Contacts](#)

440134-1

2.5mm,Crimp Contact



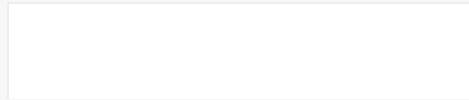
TE Internal #: **440134-1**
 TE Internal Description: **2.5mm,Crimp Contact**

Contact Type : **Socket**
 Connector System : **Wire-to-Board**
 Centerline (Pitch) : **2.5 mm [.098 in]**
 Wire Size (AWG): **28 – 22**
 Wire Size (mm²): **.079 – .38**

[Similar Products](#)

ORDER SAMPLES

Compatible Parts & Tooling



We are here to help!
 Get in touch with our product experts.

CHAT WITH US

EMAIL US

CALL US

Feedback

Documents	Features	Product Compliance
Product Drawings	2.5mm,Crimp Contact 2.5mm,Crimp Contact (TIFF AVAILABLE) English	
CAD Files	3D PDF 3D_CVM_CVM_440134-1_B_c-440134-1-b-3d.pdf 3D Customer View Model ENG_CVM_CVM_440134-1_B_c-440134-1-b.2d_dxf.zip English ENG_CVM_CVM_440134-1_B_c-440134-1-b.3d_igs.zip English ENG_CVM_CVM_440134-1_B_c-440134-1-b.3d_stp.zip English	
Datasheets & Catalog Pages	1-1773713-2_HIGH_PERFORMANCE_INTERCONNECT_QUICK_REFERENCE_GUIDE_EN ENG_DS_1-1773713-2_HPI_QRG_EN_0114_1-1773713-2HPI_Connectors_0114.pdf English	
Product Specifications	AMP 2.5mm Pitch HPI (Low Cost) W-to-B System Test Report S_502-57001-1_O1.tif English Engineering Report	

[S_502-57001-1_O1.pdf](#) English

Product Specification

[ENG_SS_108-1235-1_A.pdf](#) English

AMP 2.5mm Pitch HPI High Performance Interconnect (Low Cost) Wire-to-Board System

[S_108-57099-1_A1.tif](#) English

[ENG_SS_108-57099-1_A1.pdf](#) English

Qualification Test Report

[ENG_SS_501-57057-1_O1.pdf](#) English

AMP 2.5mm Pitch HPI High Performance Interconnect (Low Cost) Wire-to-Board System

[S_501-57057-1_O1.tif](#) English

Product Environmental Compliance

TE Material Declaration

[ENG_PC_MD_440134-1_F.pdf](#) English

Please review product documents or [contact us](#) for the latest agency approval information. Please Note: Use the Product Drawing for all design activity.

Product Type Features

Connector System : **Wire-to-Board**
Sealable : **No**
Connector & Contact Terminates To : **Wire & Cable**
Wire/Cable Type : **Discrete Wire**
Product Type : **Contact**

Electrical Characteristics

Operating Voltage (VDC): **250**
Operating Voltage (VAC): **250**

Contact Features

Contact Base Material : **Phosphor Bronze**
Crimp Area Plating Thickness (μin): **80**
Wire Contact Termination Area Plating Material : **Pre-Tin**
Contact Type : **Socket**
Contact Mating Area Plating Material : **Pre-Tin**
Contact Current Rating (Max) (A): **3**
Contact Plating Material : **Tin**

Termination Features

Termination Method to Wire & Cable : **Crimp**

Mechanical Attachment

Connector Mounting Type : **Cable Mount (Free-Hanging)**

Housing Features

Centerline (Pitch) : **2.5 mm [.098 in]**

Dimensions

Wire Size (AWG): **28 – 22**
Wire Size (mm²): **.079 – .38**

Usage Conditions

Operating Temperature Range : **-25 – 105 °C [-13 – 221 °F]**

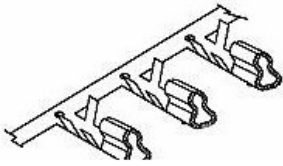

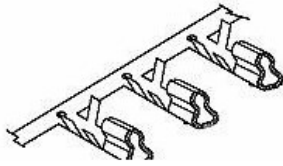

Operation/Application	Circuit Application : Signal For Use With : 440133-x
Packaging Features	Packaging Method : Reel Packaging Quantity : 10000
Other	Comment : 114-57004
Statement of Compliance	Statement of Compliance pdf

Products with Similar Specs

[View All Similar Products](#)

THIS PRODUCT

TOP RESULTS

<p>WIRE-TO-BOARD CONNECTOR... 440134-1 2.5mm, Crimp Contact</p>  <p style="text-align: right;">In-Stock</p> <hr/> <p>Contact Type : Socket Connector System : Wire-to-Board Centerline (Pitch) : 2.5 mm Wire Size : 28 – 22 AWG Wire Size : .079 – .38 mm²</p>	<p>WIRE-TO-BOARD CONNECTOR... 1735801-1 2.0mm, Crimp, Contact</p>  <p style="text-align: right;">From In-Stock</p> <hr/> <p>Contact Type : Socket Connector System : Wire-to-Board Centerline (Pitch) : 2 mm Wire Size : 30 – 24 AWG Wire Size : .05 – .02 mm²</p>	<p>WIRE-TO-BOARD CONNECTOR... 1470223-1 HPI 2.5mm EMIX Terminal</p>  <p style="text-align: right;">From In-Stock</p> <hr/> <p>Contact Type : Socket Connector System : Wire-to-Board Centerline (Pitch) : 2.5 mm Wire Size : 28 – 22 AWG Wire Size : .08 – .4 mm²</p>	<p>WIRE-TO-BOARD CONNECTOR... 1470106-1 2.0mm Pitch Crimp Contact</p>  <p style="text-align: right;">From In-Stock</p> <hr/> <p>Contact Type : Socket Connector System : Wire-to-Board Centerline (Pitch) : 2 mm Wire Size : 28 – 22 AWG Wire Size : .079 – .38 mm²</p>
--	---	---	--