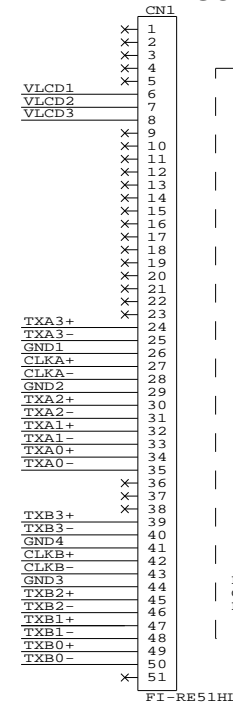
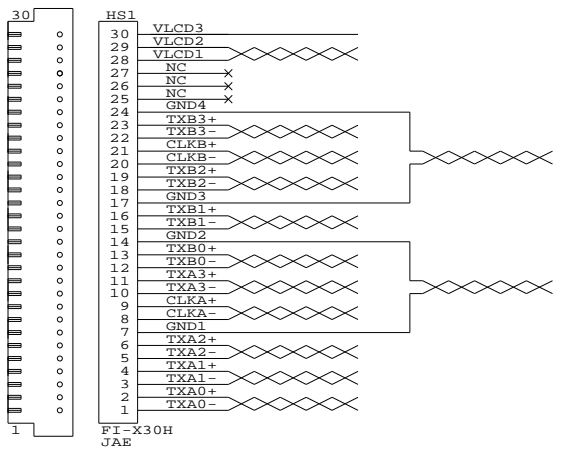
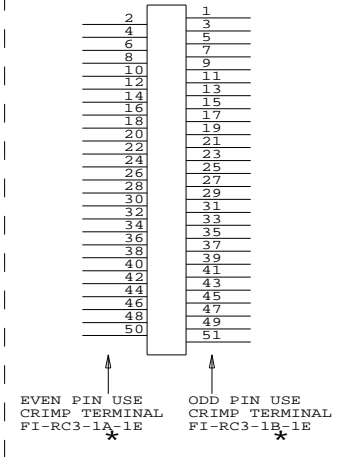
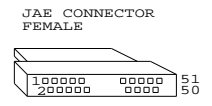
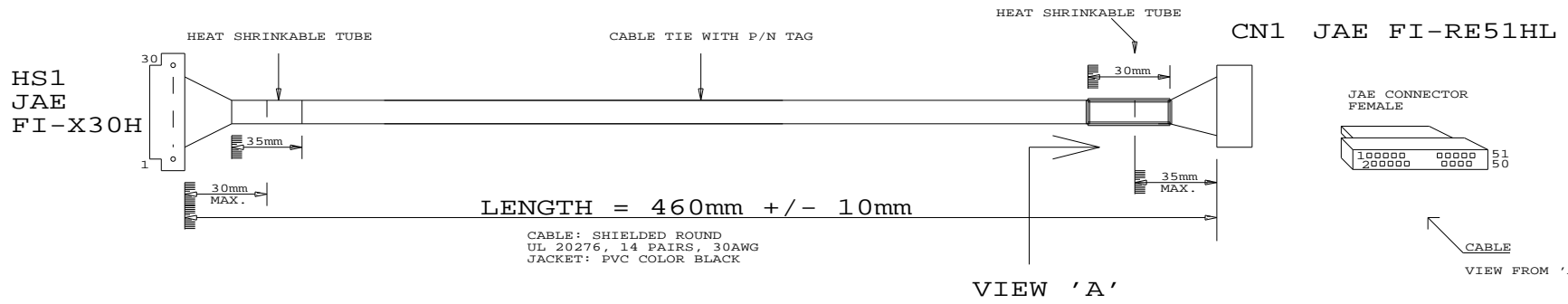


CONNECTION DIAGRAM:

IMPORTANT NOTE:



CONTROLLER SIDE



P/N 427491600-3  
LVDS PANEL CABLE: SHARP LQ170E1LG11, 460mm

RoHS  
COMPLIANCE

IPC/WHWA-A-620A  
(CLASS 2)

DIGITAL VIEW LTD. COPYRIGHT 2010, ALL RIGHTS RESERVED CONFIDENTIAL		
DRAWN BY: VICTOR NG		
Title	LVDS CBL: SHARP LQ170E1LG11, 460mm	
Size	Document Number	REV
B	(...\DV\DV_CABLE\C7491600.SCH)	00
Date:	November 30, 2010	Sheet 1 of 1