

## Specifications

DIN VDE 0627  
DIN VDE 0110

## Approvals



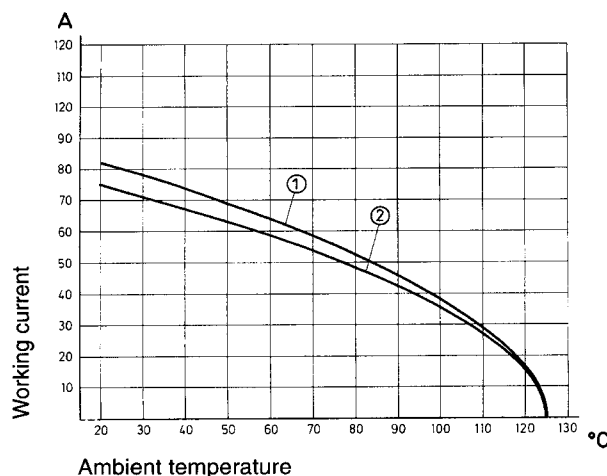
## Current carrying capacity

The current carrying capacity is limited by maximum temperature of materials for inserts and contacts including terminals. The current capacity-curve is valid for continuous, not interrupted current-loaded contacts of connectors when simultaneous power on all contacts is given, without exceeding the maximum temperature.

Control and test procedures according to DIN IEC 512-3.

## Inserts

Number of contacts	4 / 8 + PE
Working current (see current carrying capacity)	80 A / 16 A
Working voltage	400 V / 400 V
Test voltage $U_{rms}$	3 kV
Insulation group	C
Insulation resistance	$\geq 10^{10} \Omega$
Material	Polyamide
Temperature range	- 40 °C ... +125 °C
Flammability acc. to UL 94	HB
Mechanical working life	
- Mating cycles	$\geq 500$
Working voltage acc. to UL/CSA	600 V / 600 V



## Contacts

Material	copper alloy
Surface	
- hard-silver plated	3 $\mu$ m Ag
Contact resistance	$\leq 0.3 \text{ m}\Omega / 1 \text{ m}\Omega$
Screw terminal	
- mm <sup>2</sup>	1.5 - 16 mm <sup>2</sup> / 0.5 - 2.5 mm <sup>2</sup>
- AWG	16 - 5 / 20 - 14
- Tightening torque	0.8 Nm / 0.5 Nm

① Wire gauge: 16 mm<sup>2</sup>

② Wire gauge: 10 mm<sup>2</sup>

## Hoods/Housings

Material	GD-Al Si 8
Surface	powder-coated RAL 7037
Locking element	Steel, zinc plated
Hoods/Housings sealing	NBR
Temperature range	- 40 °C ... +125 °C
Degree of protection acc. to DIN 40 050 for coupled connector	IP 65

Further selection  
of hoods/housings chapter 30

## Accessories

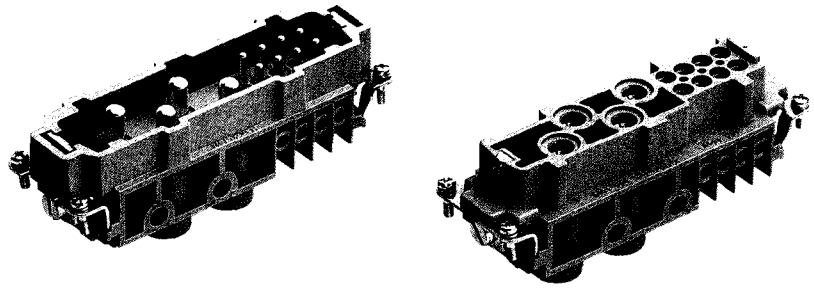
Cable clamps	chapter 40
Coding of hoods/housings	chapter 40
Label acc. to CSA-approval	chapter 40
Han-Snap	chapter 11

# Han® K 4/8



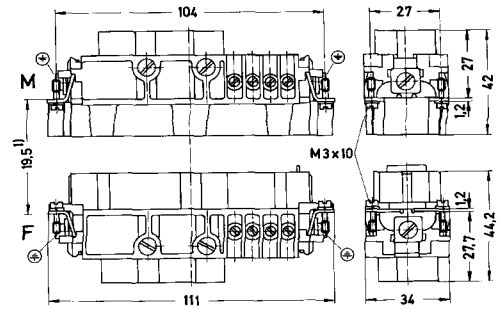
Number of contacts

4/8 +



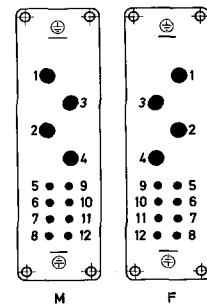
## Inserts

Identification	Series	Part No.		Drawing	Dimensions in mm
		Male insert (M)	Female insert (F)		
Screw terminal	Han K				
	4/8	09 38 012 2601	09 38 012 2701		

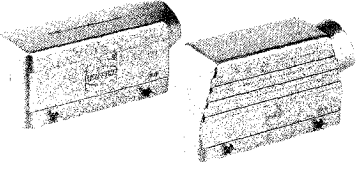
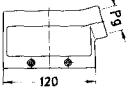

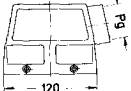
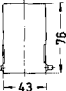
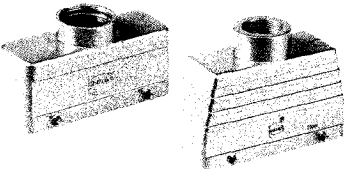
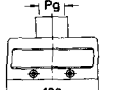
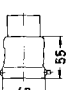



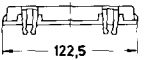
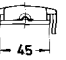
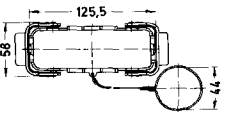
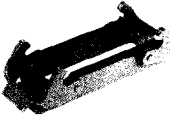
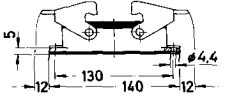
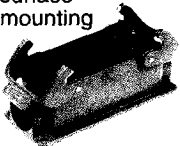
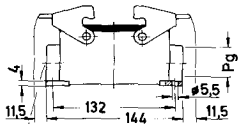
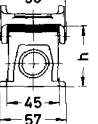

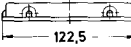
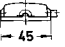
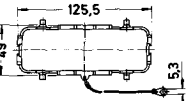

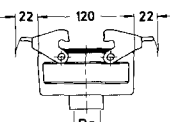
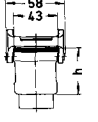

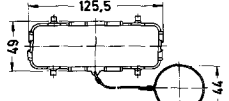


<sup>1)</sup> Distance for contact max. 21 mm

### Contact arrangement View from termination side





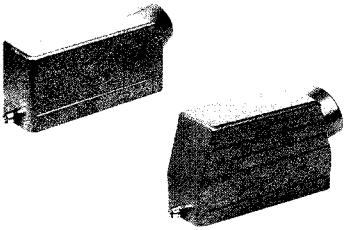
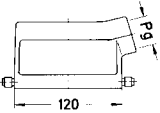
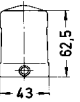
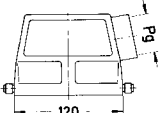
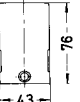
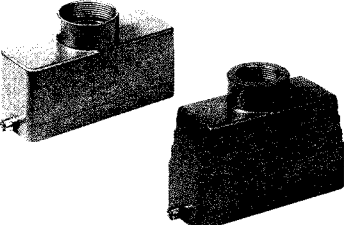
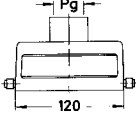
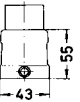
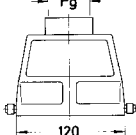
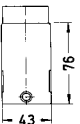
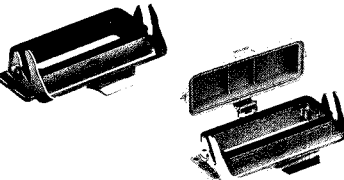
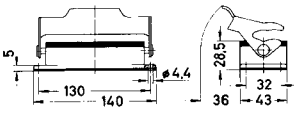
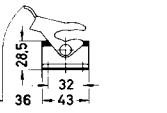
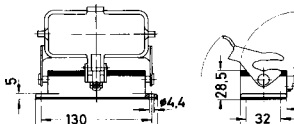
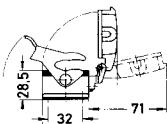
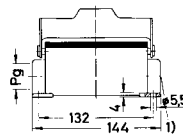
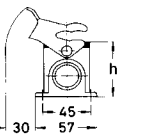
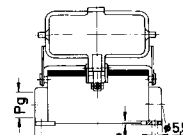
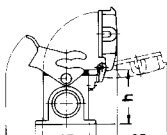
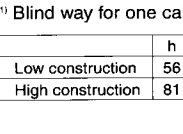
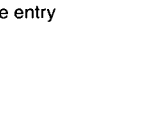
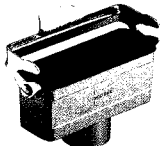
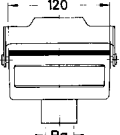
Identification	Part No.		Pg	Drawing	Dimensions in mm						
	Low construction	High construction									
<b>Hoods side-entry</b> 	<b>09 30 024 1520</b>		21								
		<b>09 30 024 0520</b> <b>09 30 024 0521</b>		21 29							
<b>Hoods top-entry</b> 	<b>09 30 024 1421</b>		29								
		<b>09 30 024 0420</b> <b>09 30 024 0421</b>		21 29							
<b>Protection covers thermoplastic/metal</b> 	<b>09 30 024 5401</b>										
	<b>09 30 024 5422</b>										
<b>Housing bulkhead mounting</b> 	<b>09 30 024 0301</b>										
<b>Housings surface mounting</b> 	1 side-entry	<b>09 30 024 1230</b>	<b>09 30 024 0230</b> <b>09 30 024 0231</b>	21 29	  Panel cut out 108 x 35 mm Blind way for one cable entry <table border="1" data-bbox="1068 1378 1263 1456"> <tr><td></td><td>h</td></tr> <tr><td>Low construction</td><td>56</td></tr> <tr><td>High construction</td><td>81</td></tr> </table>		h	Low construction	56	High construction	81
		h									
Low construction	56										
High construction	81										
2 side-entries	<b>09 30 024 1270</b>	<b>09 30 024 0270</b> <b>09 30 024 0271</b>	21 29								
<b>Protection covers thermoplastic/metal</b> 	<b>09 30 024 5405</b>										
	<b>09 30 024 5425</b>										
<b>Hoods cable to cable</b> 	<b>09 30 024 1731</b>	<b>09 30 024 0730</b> <b>09 30 024 0731</b>	21 29								
<b>Protection cover metal</b> 	<b>09 30 024 5426</b>										

Stock items in bold type

# Standard Hoods/Housings with 1 lever on the housing

Size 24 B



Identification	Part No.		Pg	Drawing	Dimensions in mm
	Low construction	High construction			
Hoods side-entry		09 30 024 1540	21		
		09 30 024 0540 09 30 024 0541	21 29		
Hoods top-entry		09 30 024 1441	29		
		09 30 024 0440 09 30 024 0441	21 29		
Housings bulkhead mounting		09 30 024 0307	—	Panel cut out 108 x 35 mm	
		with thermo- plastic cover 09 30 024 0304	—		
		with metal cover 09 30 024 0318	—		
Housings surface mounting	1 side-entry	09 30 024 1250	09 30 024 0250 09 30 024 0251	21 29	
	2 side-entries	09 30 024 1290	09 30 024 0290 09 30 024 0291	21 29	
	1 side-entry	with thermoplastic cover 09 30 024 1255	with thermoplastic cover 09 30 024 0255 09 30 024 0256	21 29	
	2 side-entries	with thermoplastic cover 09 30 024 1295	with thermoplastic cover 09 30 024 0295 09 30 024 0296	21 29	
	2 side-entries	with metal cover 09 30 024 2295	with metal cover 09 30 024 2297 09 30 024 2298	21 29	
	2 side-entries	09 30 024 2295	09 30 024 2297 09 30 024 2298	21 29	
Hoods cable to cable		09 30 024 1751	09 30 024 0751	29	

<sup>1)</sup> Blind way for one cable entry

	h
Low construction	56
High construction	81

	h
Low construction	57.5
High construction	78.5