

Tous droits strictement réservés. Reproduction ou communication à des tiers interdite sous quelque forme que ce soit sans autorisation écrite du propriétaire. Propriété de c.FCI. Droits de reproduction FCI.



All rights strictly reserved. Reproduction or issue to third parties in any form whatever is not permitted without written authority from the proprietor. Property of FCI. Copyright FCI.

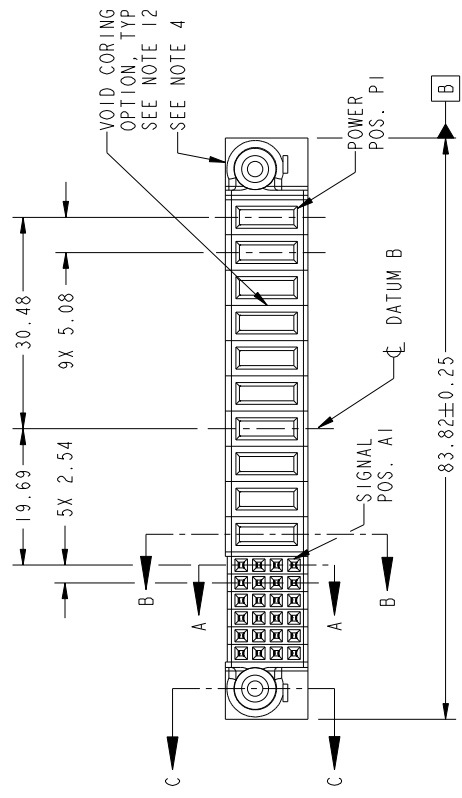
1 | 2

3 |

1 | 2

4

PRODUCT NO.	ROWS	SIGNAL										POWER									
		E2	6	5	4	3	2	1	P10	P9	P8	P7	P6	P5	P4	P3	P2	P1	E1		
51940-343-- NOTE: 3	D	PF	PF	PF	PF	PF	PF	PF	PF	PF	PF	PC	PC	PC	PC	PC	PC	PC	PC		
	C	PF	PF	PF	PF	PF	PF	PF	PF	PF	PF	PC	PC	PC	PC	PC	PC	PC	PC		
	B	PF	PF	PF	PF	PF	PF	PF	PF	PF	PF	PC	PC	PC	PC	PC	PC	PC	PC		
A		PF	PF	PF	PF	PF	PF	PF	PF	PF	PF	PC	PC	PC	PC	PC	PC	PC	PC		



A

B

CODE	DIM "M" MATING LENGTH	CONTACT TYPE
PC	[1.07]	POWER
F	[N/A]	SIGNAL
PF	[2.34]	POWER

mat'1 code		SEE NOTE		tolerances unless otherwise specified		CUSTOMER		FCI	
lir	ecn no.	dr	date			copy	projection	title	www.fciconnect.com
A	DG10-0184	SM	05/17/10	linear	0.X ±0.5		1st angle	10P +24S VERTICAL PF RECEIPT	
				angles	0.XXX ±0.25		MM		
				dr	0° ±2°				
				engr	Shower Mo 05/17/10				
				chr	Shower Mo 05/17/10				
				appd	PM ZHENG 05/17/10				
					JOSEPH HSIA 05/17/10				
sheet index	revision	A	A	A	A			product family	PwrBlade
	sheet	1	2	3	4			dwg no	213
								size	A
								code	1 of 4
								code	22526
								sheet	2 of 4
								sheet	1 of 4
								code	4

1 | 2

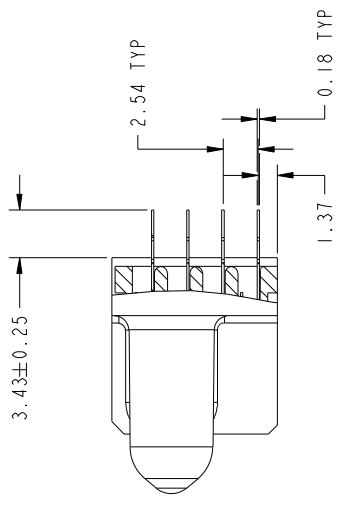
Pro/E

3 |

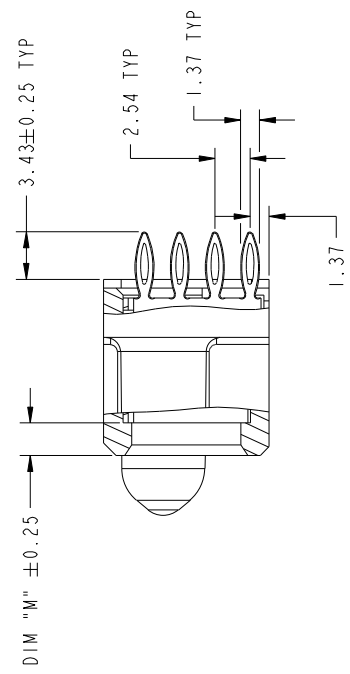
4

PRODUCT NUMBER
51940-343--
NOTE : 3

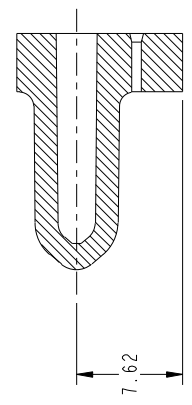
Tous droits strictement réservés. Reproduction ou communication à des tiers interdite sous quelque forme que ce soit sans autorisation écrite du propriétaire.
Property of FCI. Copyright FCI. Droits de reproduction FCI.



SECTION A-A
SCALE 2:1



SECTION B-B
SCALE 2:1



SECTION C-C
SCALE 2:1

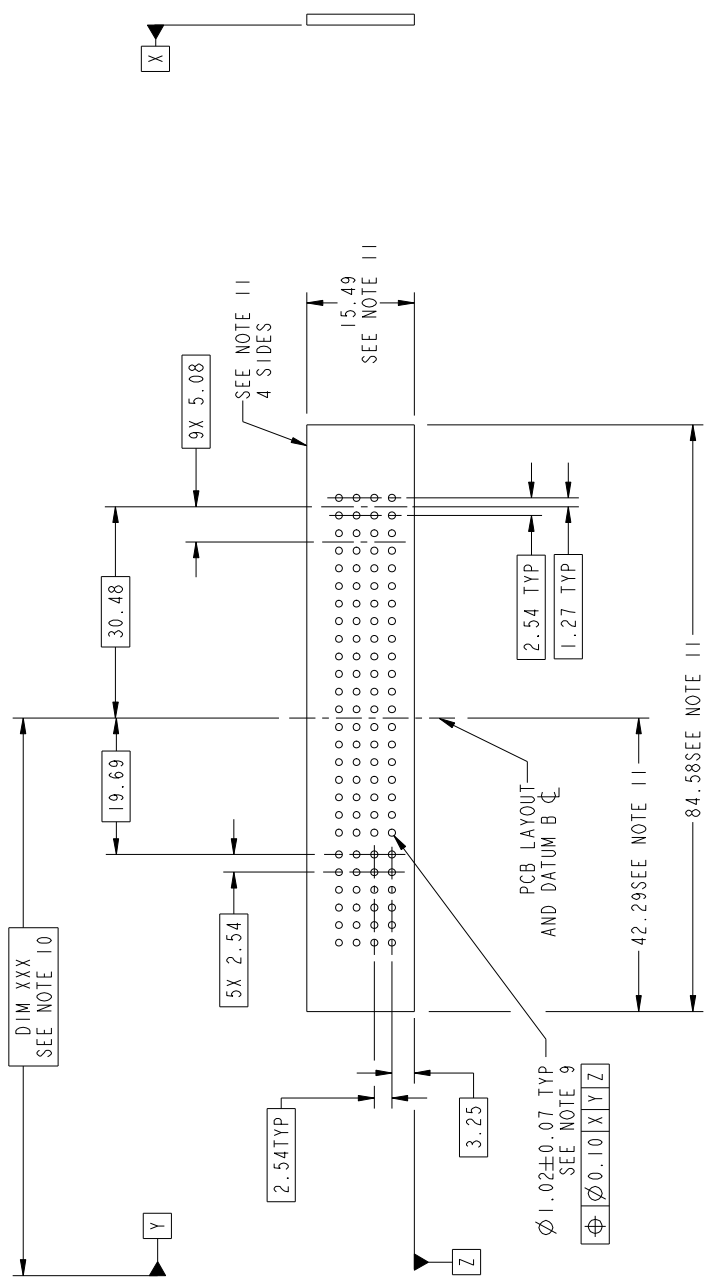


All rights strictly reserved. Reproduction or issue to third parties in any form whatever is not permitted without written authority from the proprietor.
Property of FCI. Copyright FCI.

mat'l code		SEE NOTE		tolerances unless otherwise specified		CUSTOMER		FCI	
lir	ecn no.	dr	date	linear	angles	projection	copy	title	www.fciconnect.com
A				0.X ±0.5	0.XXX ±0.10	MM	COPY	10P +24S VERTICAL PF RECEIPT	
				0° ±2°				product family	
				dr	Shower Mo			dwg no	PwrBI code
				engr	PM ZHENG			size	code
				chr	JOSEPH HSTA			A	2 13
				appd				scale	sheet
								1:1	2 of 4
sheet index	revision	sheet						cage code	
								22526	4

Pro/E

PRODUCT NUMBER
51940-343--
NOTE : 3



RECOMMENDED PCB LAYOUT

mat'l code		SEE NOTE		tolerances unless otherwise specified		CUSTOMER		FCI	
lir	ecm no.	dr	date	linear	angles	projection	copy	title	www.fciconnect.com
A				0.X ± 0.5	0.XXX ± 0.10	1st angle	MM	10P +24S VERTICAL PF RECEIPT	
				0.XX ± 0.25	0° ± 2°			product family	
								dwg no	
								size	
								product family	
								dwg no	
								size	
								product family	
								dwg no	
								size	
								product family	
								dwg no	
								size	
								product family	
								dwg no	
								size	
								product family	
								dwg no	
								size	
								product family	
								dwg no	
								size	
								product family	
								dwg no	
								size	
								product family	
								dwg no	
								size	
								product family	
								dwg no	
								size	
								product family	
								dwg no	
								size	
								product family	
								dwg no	
								size	
								product family	
								dwg no	
								size	
								product family	
								dwg no	
								size	
								product family	
								dwg no	
								size	
								product family	
								dwg no	
								size	
								product family	
								dwg no	
								size	
								product family	
								dwg no	
								size	
								product family	
								dwg no	
								size	
								product family	
								dwg no	
								size	
								product family	
								dwg no	
								size	
								product family	
								dwg no	
								size	
								product family	
								dwg no	
								size	
								product family	
								dwg no	
								size	
								product family	
								dwg no	
								size	
								product family	
								dwg no	
								size	
								product family	
								dwg no	
								size	
								product family	
								dwg no	
								size	
								product family	
								dwg no	
								size	
								product family	
								dwg no	
								size	
								product family	
								dwg no	
								size	
								product family	
								dwg no	
								size	
								product family	
								dwg no	
								size	
								product family	
								dwg no	
								size	
								product family	
								dwg no	
								size	
								product family	
								dwg no	
								size	
								product family	
								dwg no	
								size	
								product family	
								dwg no	
								size	
								product family	
								dwg no	
								size	
								product family	
								dwg no	
								size	
								product family	
								dwg no	
								size	
								product family	
								dwg no	
								size	
								product family	
								dwg no	
								size	
								product family	
								dwg no	
								size	
								product family	
								dwg no	
								size	
								product family	
								dwg no	
								size	
								product family	
								dwg no	
								size	
								product family	
								dwg no	
								size	
								product family	
								dwg no	
								size	
								product family	
								dwg no	
								size	
								product family	
								dwg no	
								size	
								product family	
								dwg no	
								size	
								product family	
								dwg no	
								size	
								product family	
								dwg no	
								size	
								product family	
								dwg no	
								size	
								product family	
								dwg no	
								size	
								product family	
								dwg no	
								size	
								product family	
								dwg no	
								size	
								product family	
								dwg no	
								size	
								product family	
								dwg no	
								size	
								product family	
								dwg no	
								size	
								product family	
								dwg no	
								size	
								product family	
								dwg no	
								size	
								product family	
								dwg no	
								size	
								product family	
								dwg no	
								size	
								product family	

