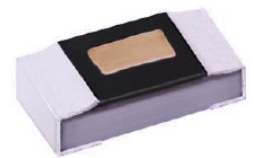


HIGH Q THIN FILM CHIP INDUCTORS

ATFC-0402HQ



RoHS/RoHS II



1.0 x 0.5 x 0.32 mm

FEATURES:

- Photolithographic single layer ceramic chip
- High SRF, excellent Q, superior temperature stability
- Tight tolerance $\pm 0.1\text{nH}$ available
- Self resonant frequency controlled within 10%
- Stable inductance in high frequency circuit
- Highly stable design for critical needs

APPLICATIONS:

- Cell phones and GPS
- VCO, TCXO Circuit and RF Transceiver Module
- Wireless LAN, Bluetooth Module, Communication Appliances

STANDARD SPECIFICATIONS:

PARAMETERS

ABRACON P/N:	ATFC-0402HQ
Operating temperature :	-40°C to +85°C
Storage temperature:	25 \pm 3°C; Humidity <80%RH in Tape & Reel.

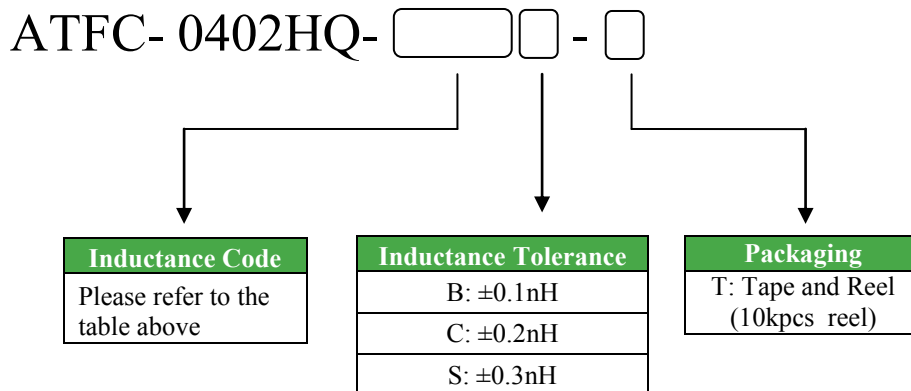
Part Number ATFC-0402HQ- Inductance Code	L(nH)	Tolerance	Q, Min @ 500MHz	SRF Min (GHz)	R _{DC} Max (Ω)	I _{DC} Max (mA)
ATFC-0402HQ-1N3	1.3	B, C, S	16	7	0.12	730
ATFC-0402HQ-1N5	1.5	B, C, S	16	7	0.14	730
ATFC-0402HQ-1N8	1.8	B, C, S	16	7	0.14	650
ATFC-0402HQ-3N1	3.1	B, C, S	16	7	0.20	500
ATFC-0402HQ-3N9	3.9	B, C, S	16	7	0.20	500
ATFC-0402HQ-4N7	4.7	B, C, S	16	7	0.50	330

Test Conditions and Equipments

Inductance (L)

- Test equipment: Agilent4287A+Agilent16196C
- Test frequency: 500MHz

PART IDENTIFICATION:

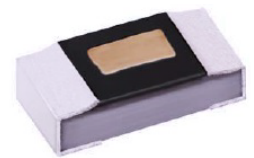


HIGH Q THIN FILM CHIP INDUCTORS

ATFC-0402HQ

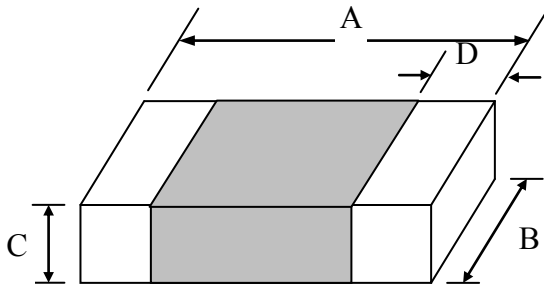


RoHS/RoHS II



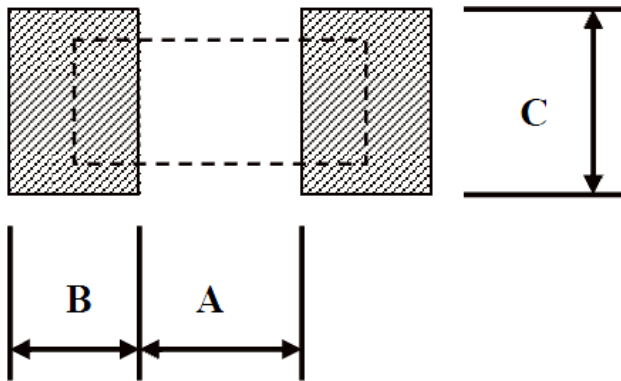
1.0 x 0.5 x 0.32 mm

OUTLINE DIMENSIONS:



A	B	C	D
1.0±0.05	0.5±0.05	0.32±0.05	0.20±0.10

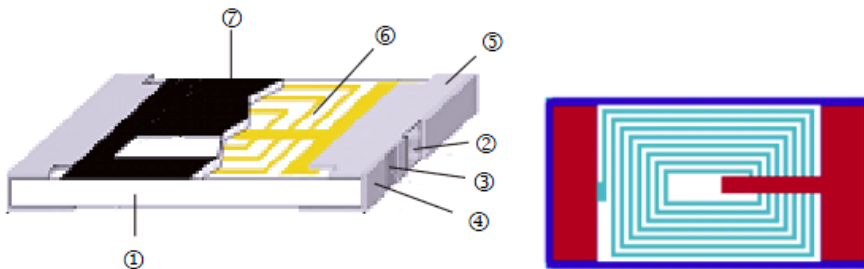
Recommended Land Pattern



A	B	C
0.50	0.45	0.60±0.2

Dimension: mm

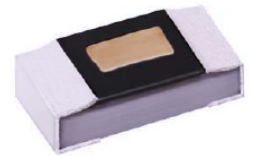
Materials



No.	Material
1	Alumina Substrate
2	Inner Electrode (Ni-Cr)
3	Barrier Layer (Ni)
4	External Electrode (Sn)
5	Edge Electrode
6	Cu Circuits
7	Overcoat

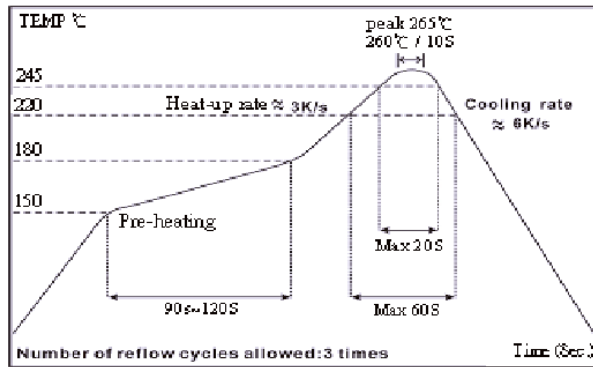
HIGH Q THIN FILM CHIP INDUCTORS

ATFC-0402HQ



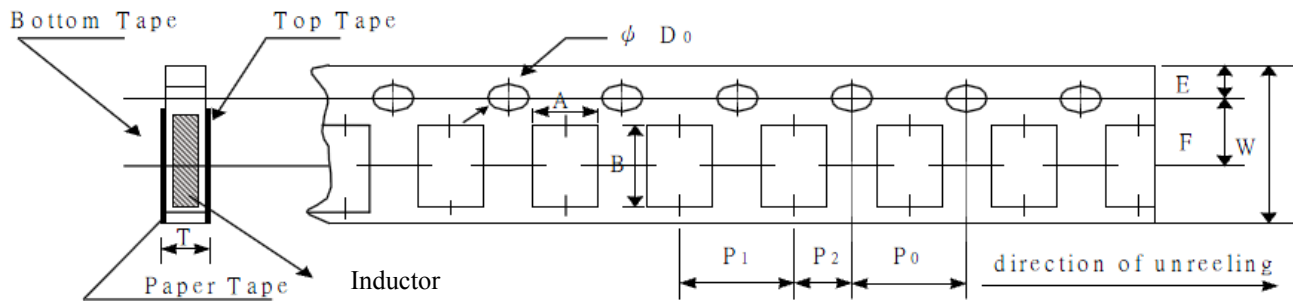
1.0 x 0.5 x 0.32 mm

REFLOW PROFILE:

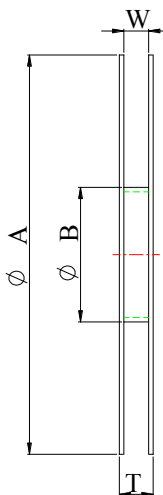
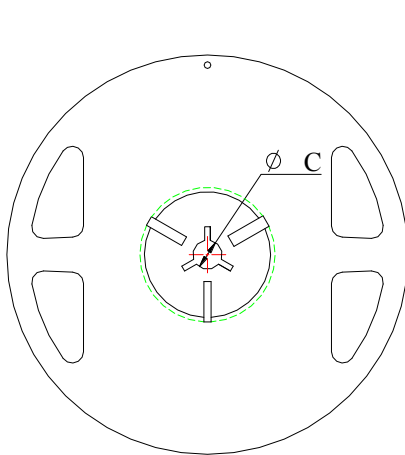


TAPE & REEL:

T= tape and reel (10,000pc/reel)



A	B	W	E	F	P ₀	P ₁	P ₂	ΦD_0	T
0.70±0.05	1.16±0.05	8.00±0.10	1.75±0.05	3.50±0.05	4.00±0.10	2.00±0.05	2.00±0.05	1.55±0.05	0.40±0.03



ΦA	ΦB	ΦC	W	T
178.0±1.0	60.0±1.0	13.5±0.7	9.5±1.0	11.5±1.0

Dimension: mm

ATTENTION: Abracon Corporation's products are COTS – Commercial-Off-The-Shelf products; suitable for Commercial, Industrial and, where designated, Automotive Applications. Abracon's products are not specifically designed for Military, Aviation, Aerospace, Life-dependant Medical applications or any application requiring high reliability where component failure could result in loss of life and/or property. For applications requiring high reliability and/or presenting an extreme operating environment, written consent and authorization from Abracon Corporation is required. Please contact Abracon Corporation for more information.

ABRACON IS
ISO 9001 / QS 9000
CERTIFIED



ABRACON
CORPORATION

Visit www.abracon.com for Terms & Conditions of Sale
30332 Esperanza, Rancho Santa Margarita, California 92688
tel 949-546-8000 | fax 949-546-800 | www.abracon.com

Revised: 04.05.13

Mouser Electronics

Authorized Distributor

Click to View Pricing, Inventory, Delivery & Lifecycle Information:

ABRACON:

[ATFC-0402HQ-3N1B-T](#) [ATFC-0402HQ-1N3B-T](#) [ATFC-0402HQ-1N5B-T](#) [ATFC-0402HQ-4N7B-T](#) [ATFC-0402HQ-1N8B-T](#) [ATFC-0402HQ-3N9B-T](#)