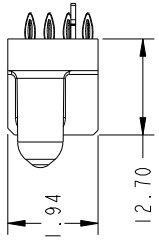
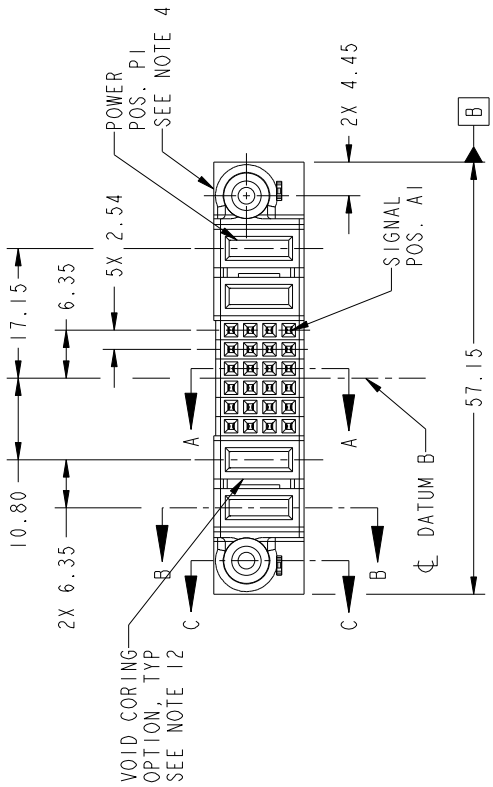


PRODUCT NO.	ROWS	POWER	SIGNAL	POWER
51750-116-- NOTE: 3	D	PF	1	P1
	C	PC	2	P2
	B	PF	3	P3
	A	PC	4	P4



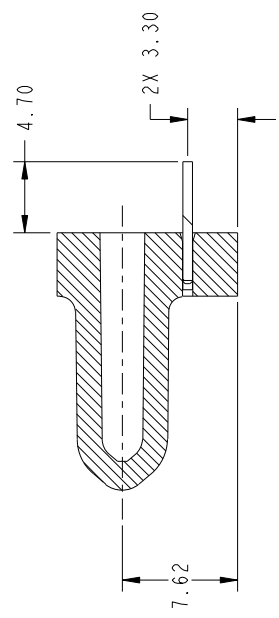
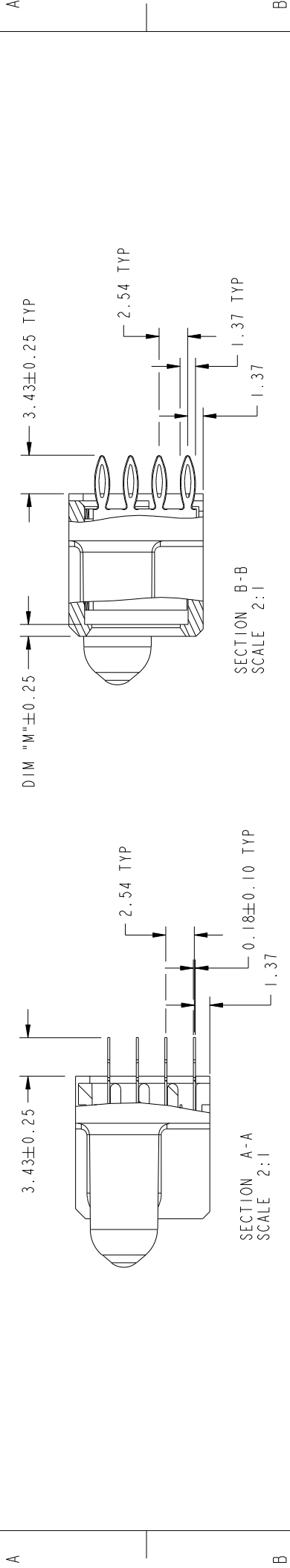
CODE	DIM "M" MATING LENGTH	CONTACT TYPE
PC	[1.07]	POWER
F	[N/A]	SIGNAL
HA	[N/A]	HOLD-DOWN
PF	[2.34]	POWER

spec ref	SEE NOTE	dr	GUANG SHI	2011/11/15	projection	MM	size	A4	scale	1:1
tolerance std	TOLERANCES UNLESS OTHERWISE SPECIFIED	eng	XQ WANG	2011/11/15		PwrBlade	rel level	Released	* #	rev
see notes		chr	PM ZHENG	2011/11/15						
surface	linear	0.X	±0.50		2P + 24S + 2P VERTICAL PF RECEIPT	51750-116	51750-116	51750-116	51750-116	rev A
	angular	0°	±2°							



Copyright FCI

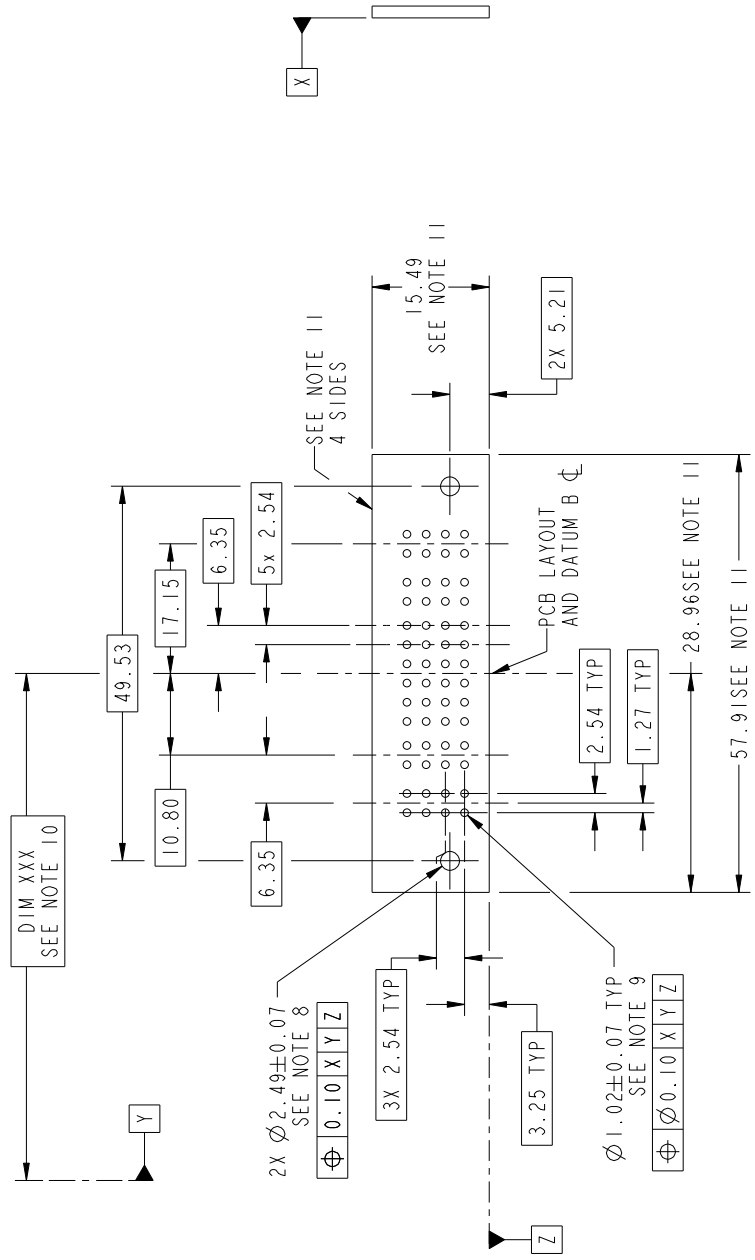
PRODUCT NUMBER  
51750-116:--  
NOTE: 3



Copyright FCI

dr	GUANG SHI	2011/11/15	projection	MM	size	A4	scale	1:1
eng	XQ WANG	2011/11/15		PwrBlade	ech no	rel level	Released	*
chr	PM ZHENG	2011/11/15						
appr	JOSEPH HSIA	2011/11/15	product family	on gmp	51750-116	rev	A	
		2P + 24S + 2P		VERTICAL PF RECEIPT				
www.fci.com		cat. no.		Product - Customer Drw		sheet 2 of 4		

PRODUCT NUMBER  
51750-116:--  
NOTE: 3



RECOMMENDED PCB LAYOUT

dr	GUANG SHI	2011/11/15		MM	size	A4	scale	1:1
eng	XQ WANG	2011/11/15			ech no	*		
chr	PM ZHENG	2011/11/15			rel level	Released		
apppr	JOSEPH HSIA	2011/11/15	product family	PwrBlade	rev	51750-116	A	
		2P + 24S + 2P VERTICAL PF RECEIPT		cat. no.	Product - Customer Drw	sheet 3 of 4		
www.fci.com								



Copyright FCI

PRODUCT NUMBER  
51750-116:--  
NOTE: 3

NOTES:

1. DIMENSIONS AND TOLERANCES ARE IN ACCORDANCE WITH ASME Y14.5W, 1994 UNLESS OTHERWISE SPECIFIED.
- CONNECTOR NOTES:
- 2 HOUSING MATERIAL: UL 94 V-0 GLASS FILLED HIGH-TEMP THERMOPLASTIC  
POWER CONTACT MATERIAL: COPPER ALLOY  
SIGNAL PIN MATERIAL: COPPER ALLOY
3. SEE ITEM 7 & 8 IN PRINT 10064183 FOR PLATING SPEC OF 51750-116 AND 51750-116LF RESPECTIVELY.
- 4 MANUFACTURER'S NAME, DATE CODE AND OPTIONAL P/N TO APPEAR ON THIS SURFACE. THE P/N CAN BE OMITTED IF THERE IS NOT ENOUGH SPACE ON THIS SURFACE.
5. PRODUCT SPECIFICATION GS-12-149.  
APPLICATION SPECIFICATION BUS-20-067.
6. PACKAGED IN TRAYS.

PCB NOTES:

7. ALL HOLE DIAMETERS ARE FINISHED HOLE SIZE.
- 8 MOUNTING HOLES, WHERE APPLICABLE, ARE UNPLATED.
- 9  $\varnothing 1.151 \pm 0.025$  DRILLED HOLES PLATED WITH 0.008 MIN SnPb OR Sn OVER 0.03 TO 0.08 Cu PLATING TO ACHIEVE  $\varnothing 1.02 \pm 0.07$  HOLE.
- 10 "DIM XXX" TO BE DETERMINED BY THE CUSTOMER.
- 11 CONNECTOR KEEP-OUT ZONE.

12. THE VOID CORING IN BETWEEN POWER MODULES, SIGNAL MODULES AND END MODULES ARE OPTIONAL AND THE SHAPE MAY BE DIFFERENT FOR OPTIMIZE THE MOLDING PROCESS. THE VOID CORING WILL NOT EFFECT TO PRODUCT FUNCTION.

dr	GUANG SHI	2011/11/15			size	A4	scale
eng	XQ WANG	2011/11/15			ech no	*	
chr	PM ZHENG	2011/11/15			rel level	Released	
appr	JOSEPH HSIA	2011/11/15	product family	PwrBlade			
		$\varnothing 2P + 24S + 2P$ $\pm$ $\pm$ VERTICAL PF RECEIPT		51750-116	rev	A	
www.fci.com		cat. no.	Product - Customer Drw		sheet 4 of 4		



Copyright FCI