

MICRO SWITCH

A DIVISION OF MINNEAPOLIS-HONEYWELL REGULATOR COMPANY
PRAIRIE, ILLINOIS

FED. MFR. CODE 91929

SWITCH-BASIC

CATALOG LISTING

BZ-2RQ1-D6

BZ-2RQ1-D6
PAGE 1 OF 1

M
DRAWING NUMBER

11
ISSUE

REPLACES

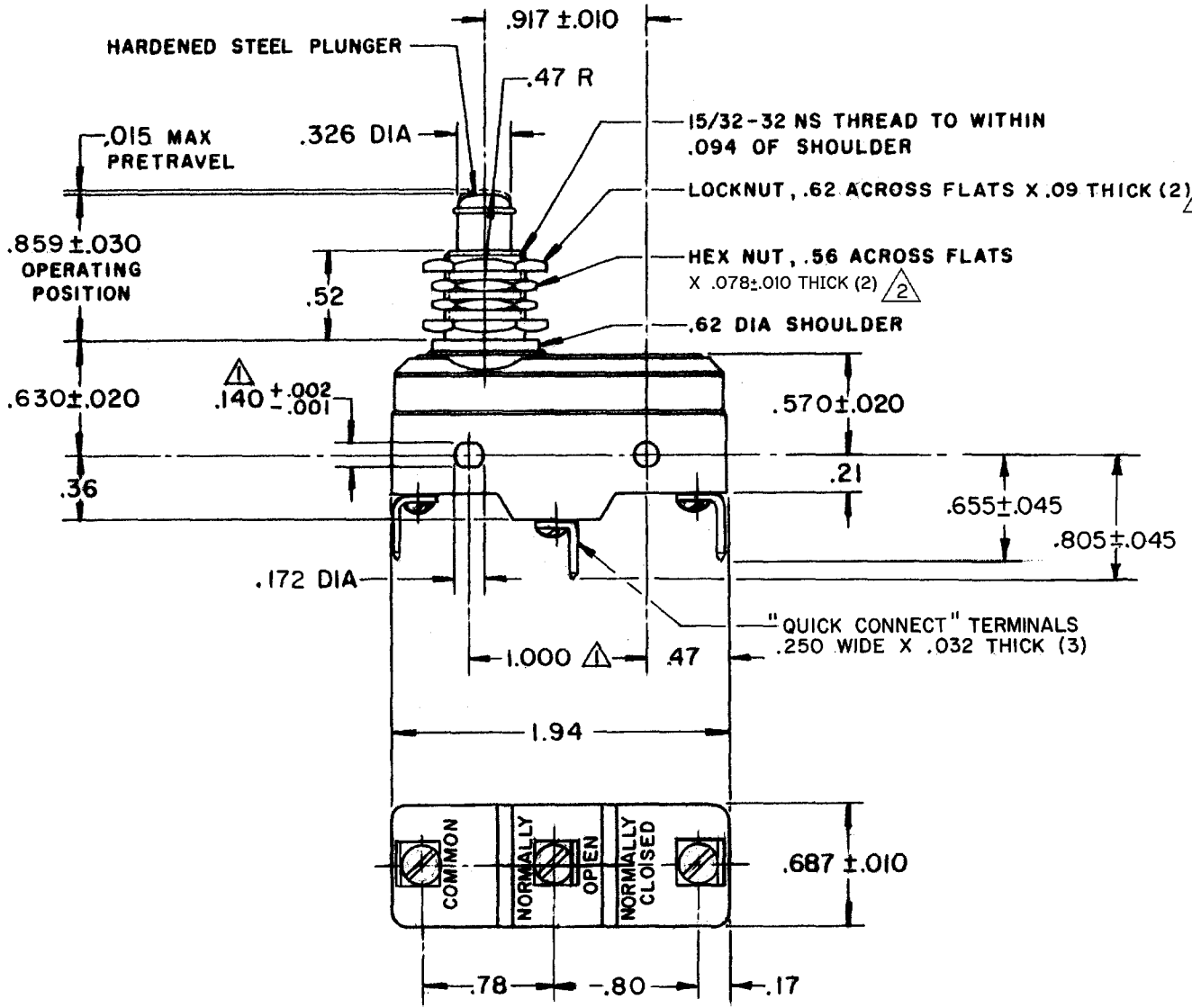
PR-2594

RELEASE NO.

CHECK

REVISIONS

A	CO14866	JID	
B	AUG 60	OBS DWG	
B	CO18857	HBW	
		28 JAN 64	
C	REINS	EYS	
		9 FEB 66	
D	PR-2594	SRH	
		20 APR 72	
E	CO	46317	
		4 SEPT 79	
F	PR8349	SLB	
		17 DEC 79	
G	CO	77589	
		30 MAR 94	
H	CO	80938	
		12 JUN 95	
J	CO-82133	CSL	
		30 JUL 96	
K	CO93346	DLT	
		10 SEP 98	



- NOTES**
- ① MOUNTING HOLES WILL ACCEPT PINS OR SCREWS OF .139 MAX DIA ON 1.000 ± .002 CENTERS
 - ② HARDWARE FURNISHED UNASSEMBLED

THIS DRAWING COVERS A PROPRIETARY ITEM AND IS THE PROPERTY OF MICRO SWITCH, A DIVISION OF MINNEAPOLIS-HONEYWELL REGULATOR CO. THIS DRAWING IS NOT TO BE COPIED OR USED WITHOUT THE APPROVAL OF MICRO SWITCH.

CHARACTERISTICS	ELECTRICAL DATA	SCALE FULL
OPERATING FORCE -----9-13 OZ	CONTACT ARRANGEMENT S P D T	DO NOT SCALE PRINT
RELEASE FORCE -----4 OZ MIN	UNDERWRITERS' LAB. INC. LISTED RATING	UNLESS OTHERWISE SPECIFIED DIMENSIONS ARE IN INCHES
DIFFERENTIAL TRAVEL -----.0004-.002	-L96- 15A-125, 250, OR 480 VAC	TOLERANCES ARE:
OVERTRAVEL -----.219 MIN	1/2 A-125 VDC; 1/4 A-250 VDC	ONE PLACE (.0) ±.030
	1/8 HP-125 VAC; 1/4 HP-250 VAC	TWO PLACE (.00) ±.015
		THREE PLACE (.000) ±.008
		ANGLES ±
		WEIGHT .094 LB

FORMTEK
FO-50378
DRAWN
MBF 7 JULY 60