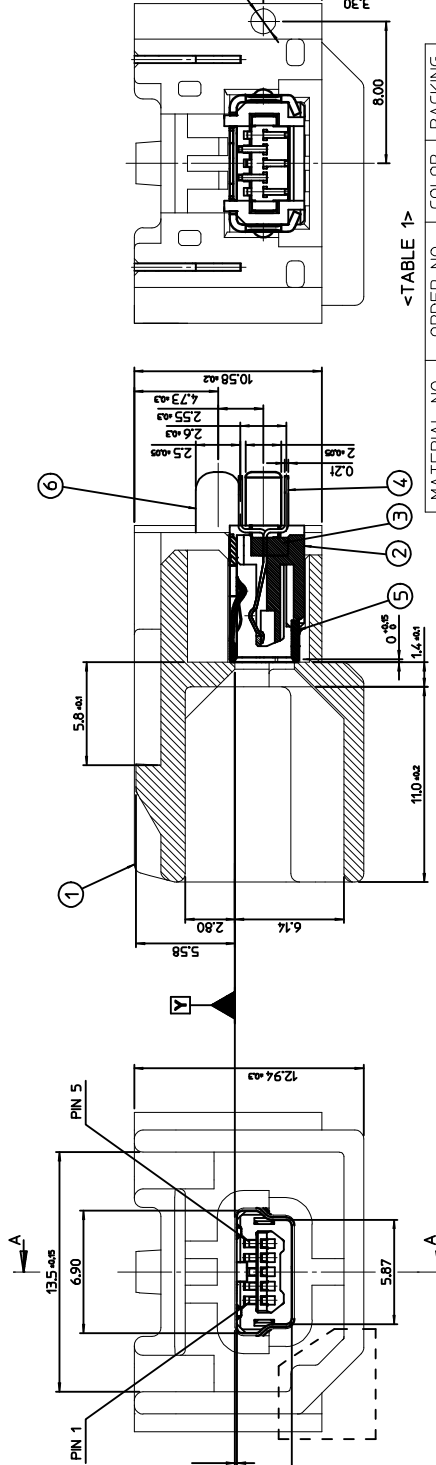


**(CONNECTOR MOUNTING AND REVERSE SIDE)**

**RECOMMENDED PCB LAYOUT**



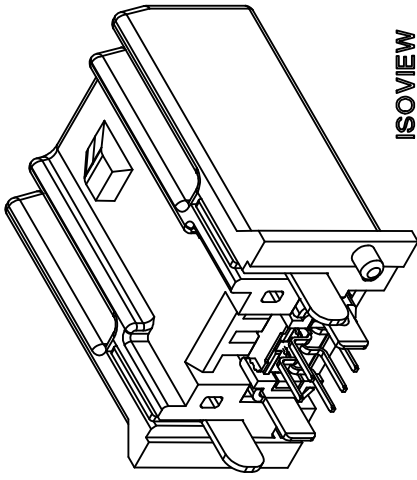
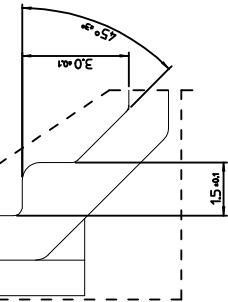
<TABLE 1>

MATERIAL NO.	ORDER NO.	COLOR	PACKING
1040040901	104004-0901	BLACK	TRAY
1040040902	104004-0902	BLACK	ST. TRAY

QUALITY SYMBOLS	GENERAL TOLERANCES (UNLESS SPECIFIED)	MM ONLY	INCH
0	4 PLACES ±	±	±
0	3 PLACES ±	±	±
	2 PLACES ±	±0.15	±
	1 PLACE ±	±0.25	±
	ANGULAR ±	± 1°	

<PARTS LIST>

NO.	PART NAME	MATERIAL
1	SHROUD-A	LCP, GLASS FILLED, UL94 V-0
2	RECEPTACLE HOUSING	LCP, GLASS FILLED, UL94 V-0
3	CONTACT HOUSING	LCP, GLASS FILLED, UL94 V-0
4	CONTACT TERMINAL	COPPER ALLOY
5	SHIELD CASE	PHOSPHOR BRONZE
6	BOARD LOCKS PIN	BRASS



**ISOVIEW**

**NOTE**

- MATES WITH : (MOLEX SERIES NO. - 111014, 111015, 111005, 111041, 111019, 111020)
- SHROUD GEOMETRY AND ASSEMBLY WITH USB MINI-B CONNECTOR ARE ACCORDING TO USB STD 999-U-USB-Z01
- FINISHES
  - TERMINAL : CONTACT AREA : Au 0.75µm MIN. SOLDER TAIL AREA : TIN 1.0µm MIN. UNDER PLATING : NI 1.0µm MIN.
  - SHIELD CASE : 3.0µm MIN. TIN OVER NI 1.0µm MIN.
  - FITTING NAIL : 3.0µm MIN. TIN OVER NI 1.0µm MIN.
  - UNLESS OTHERWISE SPECIFIED, TYPICAL RECOMMENDED PCB MANUFACTURING TOLERANCE IS ±0.05
  - PACKAGING IS TRAY : -STD. TYPE :48 PCS/TRAY, 5 TRAY/TRAY BOX, 240 PCS/TRAY BOX, 960 PCS/CARTON BOX) -ST TYPE:32 PCS/TRAY, 3 TRAY/TRAY BOX, 96 PCS/TRAY BOX, 384 PCS/CARTON BOX)
- PRODUCT SPECIFICATION : PS-49616-001
- PACKAGING INFORMATION :
  - (STD. TYPE)PK-104004-003
  - (ST TYPE) PK-104004-004

SCALE	DESIGN UNITS	THIRD ANGLE PROJECTION
5:1	METRIC	

DATE	TITLE
2009/06/17	USCAR USB MINI B CONN VERTICAL A (LONG TERMINAL VERSION)
2009/06/17	MOLEX INCORPORATED
2013/01/07	MOLEX INCORPORATED

DRAWN BY	DATE	DATE	DATE
S. M. KIM	2009/06/17		
B. C. YOON	2009/06/17		
JYCH01	2013/01/07		

DOCUMENT NO.	SHEET NO.
SD-104004-006	1 OF 1

DRAFT WHERE APPLICABLE MUST REMAIN WITHIN DIMENSIONS

SIZE THIS DRAWING CONTAINS INFORMATION THAT IS PROPRIETARY TO MOLEX INCORPORATED AND SHOULD NOT BE USED WITHOUT WRITTEN PERMISSION