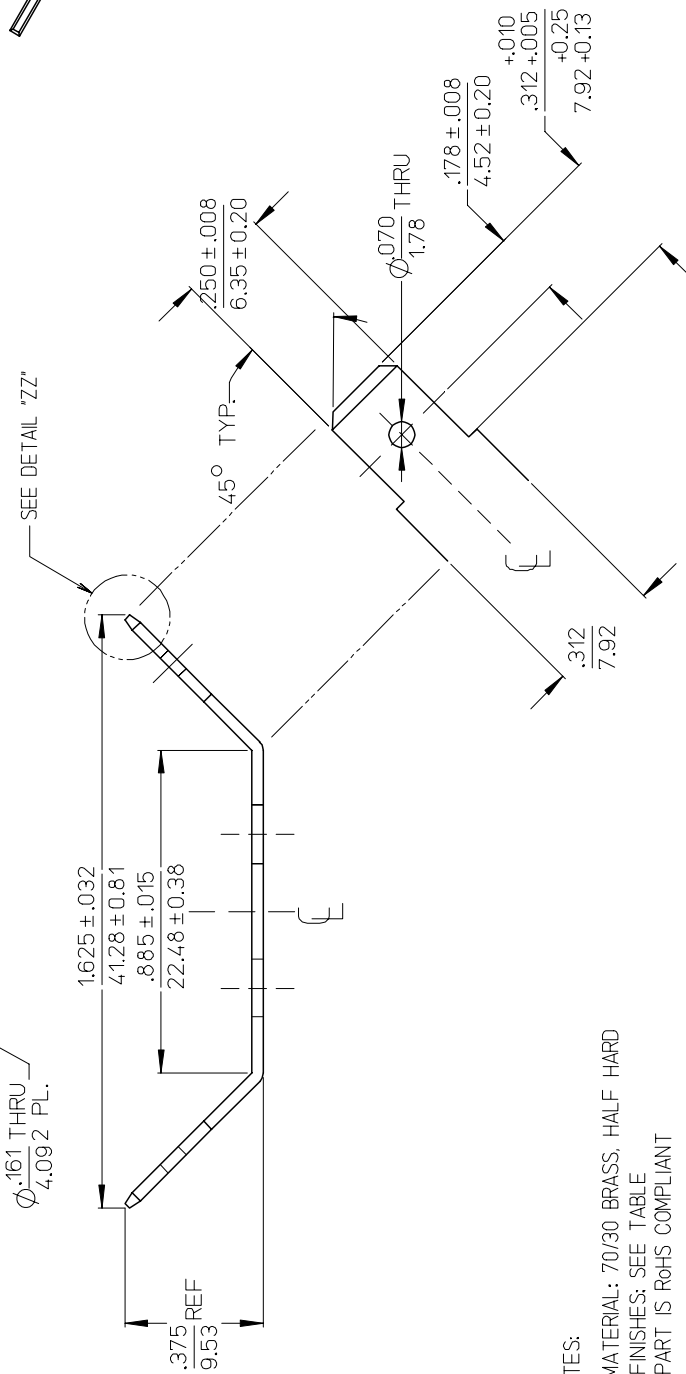
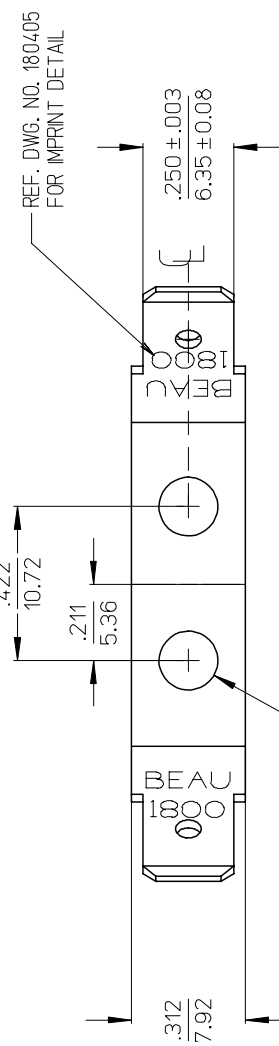
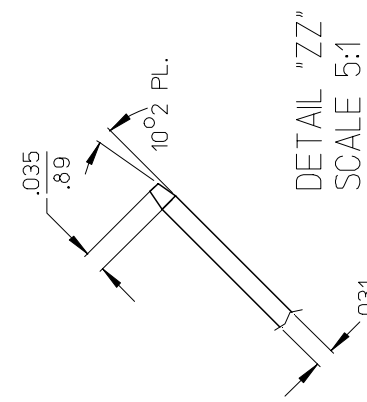
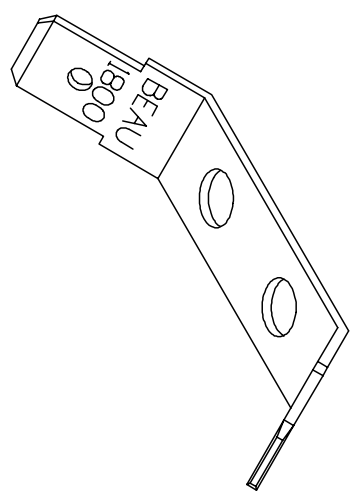


38002 2 3 4 5 6 7 8 9 10



- NOTES:
 1. MATERIAL: 70/30 BRASS, HALF HARD
 2. FINISHES: SEE TABLE
 3. PART IS RoHS COMPLIANT

QUALITY SYMBOLS	GENERAL TOLERANCES (UNLESS SPECIFIED)	DIMENSION STYLE	SCALE	DESIGN UNITS	THIRD ANGLE PROJECTION
=0 =0	mm ± --- INCH ± .0015 4 PLACES ± --- INCH ± .005 3 PLACES ± 0.038 INCH ± .01 2 PLACES ± 0.13 INCH ± --- 1 PLACE ± 0.25 ANGULAR ± 2 °	IN/MM DATE 69/05/12 DRAWN BY HCH DATE 69/05/12 CHECKED BY APPROVED BY RN	3:1	INCH	TERMINAL, FAST TAB SLSL OPTION -1811
DESCRIPTION	MATERIAL NO.	DATE	MOLEX INCORPORATED		
APPR: JMACNELL 2007/06/11 CHKD: JMACNELL 2007/06/10 DRWN: CLYORK 2007/06/05 EC NO: ETC2007-0441 NO CHANGE FROM C	SEE CHART	69/05/12	DOCUMENT NO. SD-38002-040		
REV	SIZE	THIS DRAWING CONTAINS INFORMATION THAT IS PROPRIETARY TO MOLEX INCORPORATED AND SHOULD NOT BE USED WITHOUT WRITTEN PERMISSION			
C1	B	SHEET NO. 1 OF 1			

380020263	1804-0601-A500	380020261	TIN PLATED
380020261	1804-0601-A110	435870182	PLAIN
MATERIAL NO.	ENGINEERING NO.	MADE FROM	FINISH
1804-0601-A500			