

REFERENCE SPECIFICATIONS

-NFC 93425 (in compliance with HE 501)

PHYSICAL CHARACTERISTICS

- INSULATOR MATERIAL: THERMOPLASTIC UL94 V-0
- CONTACT MATERIAL: PHOSPHOR BRONZE GOLD OVER NICKEL

-ACCESSORIES:

- BRASS.cadmium plated yellow passivation
- STEEL.cadmium plated yellow passivation

ELECTRICAL CHARACTERISTICS

- NOMINAL CURRENT: 7.5A
- CONTACT RESISTANCE: <= 7.3 m ohms
- CONTACT/CONTACT : >=1000 V
- CONTACT/GROUND : >=1200 V
- INSULATION RESISTANCE: >=5000 MOhms

ENVIRONMENTAL CHARACTERISTICS

- CLIMATIC CATEGORY: 55/125/56
- TEMPERATURE RANGE -55°C TO +125°C
- DAMP HEAT STEADY STATE 56 DAYS
- SALT SPRAY 48 HOURS

MECHANICAL CHARACTERISTICS

- RETENTION AGAINST TORQUE: - Threaded insert: 0.7 N.m minimum
- Female screw : 0.5 N.m minimum

# DBML25S043

Series

Shell size: **E A B C D**  
see sheet 2

Front accessory definition  
see sheet 2

**Blank** :without accessory

**F** :floating mounting

**L** :threaded insert M3

**O** :threaded insert UNC 4-40

**V** :female screw UNC 4-40

**I** :female screw M3

Contact number (see sheet 2)

**9,15,25,37,50**

Contacts

**S** :Socket

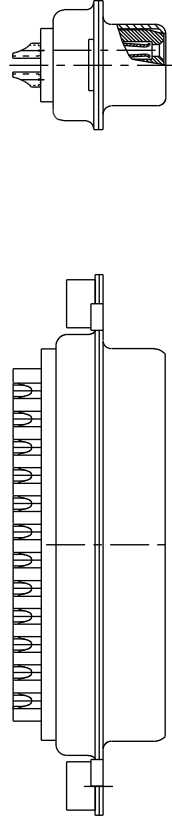
Plating

**Blank** :solder bucket 500 matings/unmatings

**043** :solder bucket 500 matings/unmatings  
for harsh environment



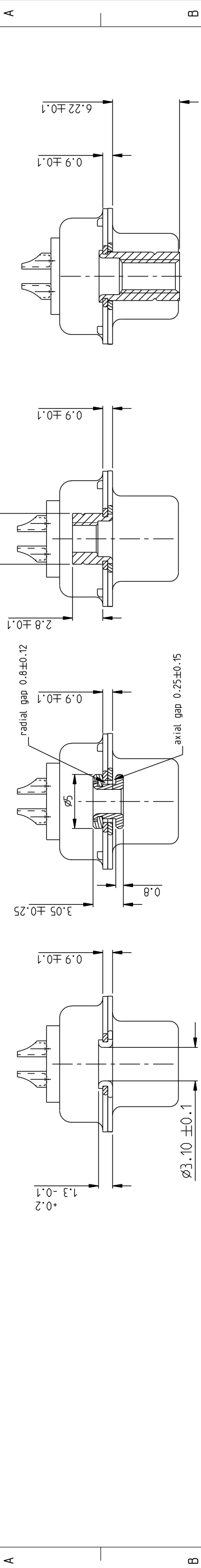
Copyright FCI



25 WAY for Example

rev	ecn no	dr	date
A	LS06-0174	MPE	2006/11/14
B	LS07-0217	MLE	2007/08/22
C	LS07-0273	MPE	2007/10/30
D	FI0-0072	LSA	2010/07/20
-	-	-	-
-	-	-	-

www.ficonnect.com		Surface ISO 1302	Tolerance sid ISO 406	tolerance sid ISO 1001	projection	mm
TOLERANCES UNLESS OTHERWISE SPECIFIED		ANGULAR	0.X	±0.3	size	A2
Product family		0° ±2°	0.XXX	±0.05	ECN	LS07-0273
Dr: M PESSON		Product family		- Spec ref		
Eng: P LEGARE		SUB FEMALE DM HE501 series		C01-8637-1733		Rev. D
Chr: P LEGARE		with solder bucket		CUSTOMER		Sheet 1 of 4
Appr: P LEGARE		catalog no		-		



FRONT ACCESSORY **Blank** without **L** insert M3 **V** female screw UNC 4.40  
**O** insert UNC 4.40 **I** female screw M3

**F** floating mounting

shell size	Contact number
*	XX
E	09
A	15
B	25
C	37
D	50

PART NUMBER	FRONT ACCESSORY
D*MxxS	without
D*MFxxS	floating mounting
D*MLxxS	insert M3
D*MOxxS	insert UNC 4.40
D*MVxxS	female screw UNC 4.40
D*MIxxS	female screw M3

PART NUMBER	FRONT ACCESSORY
D*MxxS043	without
D*MFxxS043	floating mounting
D*MLxxS043	insert M3
D*MOxxS043	insert UNC 4.40
D*MVxxS043	female screw UNC 4.40
D*MIxxS043	female screw M3

CROSS REFERENCES HES01 and FC I

HE501 P/N	FC I P/N	FRONT ACCESSORY
HE501NxxAS	D*MxxS	without
HE501FxxAS	D*MFxxS	floating mounting

SCALE:4

www.fciconnect.com		Surface ISO 1302	tolerance sid ISO 406 ISO 1001	projection	mm
TOLERANCES UNLESS OTHERWISE SPECIFIED		TOLERANCES UNLESS OTHERWISE SPECIFIED		size A2	Scale 2:1
Dr M PESSON	2006/11/14	ANGULAR	0.X ±0.3	ECN LS07-0273	
Eng P LEGARE	2006/11/14	LINEAR	0.XX ±0.1	Product family	
Chr P LEGARE	2006/11/14	0° ±2°	0.XXX ±0.05		
Appr P LEGARE	2006/11/14				

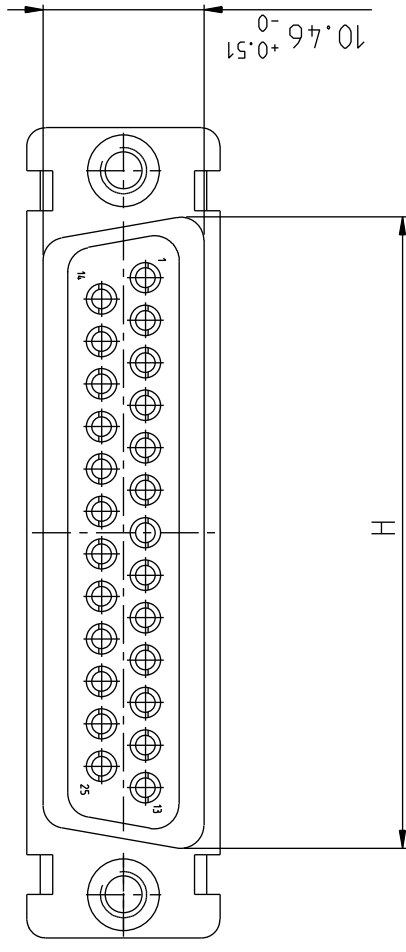
**FCI** SUB FEMALE DM HE501 series  
 with solder bucket  
 catalog no

Rev. C01-8637-1733  
 Dwg no CUSTOMER Sheet 2 of 4

# DIMENSIONS FOR SHELL E,A,B,C

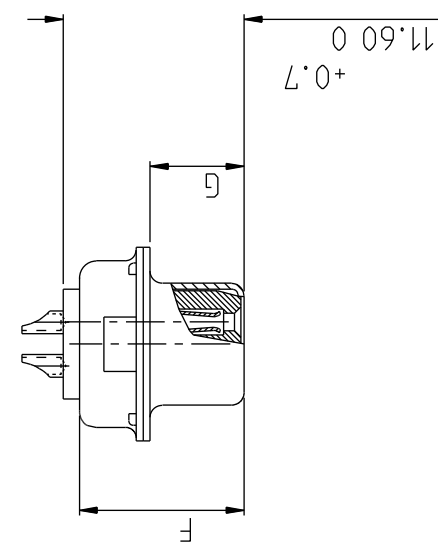
Dimensions are in millimeters

Shell size	Number of contacts	A <sup>+0.76</sup> <sub>-0</sub>	B <sup>+0.25</sup> <sub>-0</sub>	C <sup>±0.12</sup>	F <sup>+0.57</sup> <sub>-0</sub>	G <sup>+0.25</sup> <sub>-0</sub>	H <sup>+0.51</sup> <sub>-0</sub>
E	09	30.43	16.21	24.99	10.64	6.05	19.02
A	15	38.76	24.54	33.32	10.64	6.05	27.25
B	25	52.65	38.25	47.04	10.64	6.05	41.02
C	37	68.94	54.71	63.50	10.64	6.05	57.45

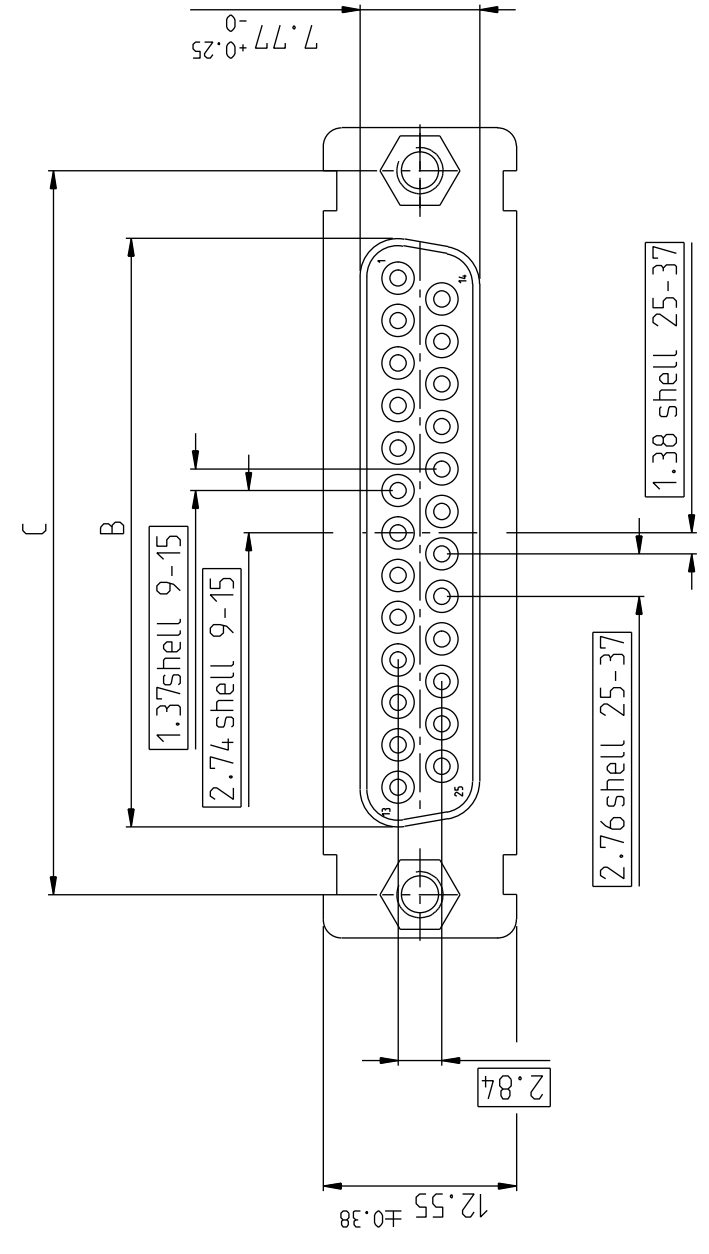


7.94 max  
2.72 ±0.25

10.46<sup>+0.51</sup><sub>-0</sub>



11.60<sup>+0.7</sup><sub>0</sub>



Copyright FCI  
FCI

www.fciconnect.com		Surface ISO 1302	tolerance sid ISO 406	ISO 1001	projection	mm
Dr M PESSON	2006/11/14	TOLERANCES UNLESS OTHERWISE SPECIFIED		ISO 1001	ISO 1001	mm
Eng P LEGARE	2006/11/14	ANGULAR	0.X	±0.3	size	A2
Chr P LEGARE	2006/11/14	0° ±2°	0.XX	±0.1	ECN	LS07-0273
Appr P LEGARE	2006/11/14	Product family	0.XXX	±0.05	Spec ref	-
FCI SUB FEMALE DM HE501 series		with solder bucket		customer no	Rev.	D
catalog no		C01-8637-1733		customer	Sheet 3 of 4	

scale 3

