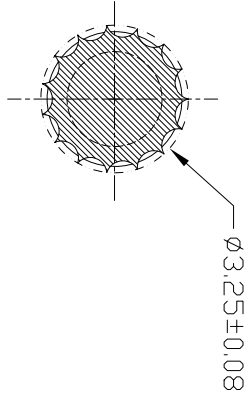
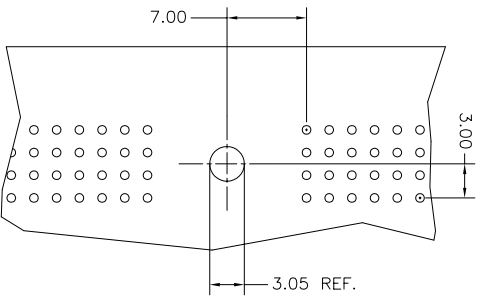


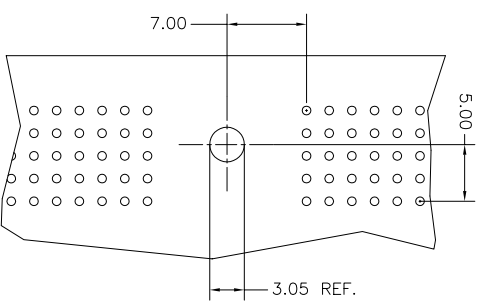
PRODUCT NUMBER	DIMENSIONS	
	"A"	"B"
74748-101	31.00	36.10
74748-102	20.02	25.12



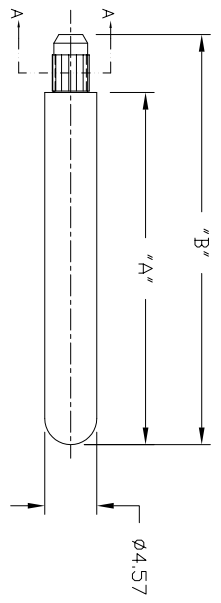
SECTION A - A  
SCALE 4:1



RECOMMENDED HOLE PATTERN WHEN STACKED BESIDE A STANDARD 4 MOD METRAL HEADER COMPONENT SIDE



RECOMMENDED HOLE PATTERN WHEN STACKED BESIDE A STANDARD 5 MOD METRAL HEADER COMPONENT SIDE



NOTES:

1. MATERIAL: STAINLESS STEEL, TYPE 303. FINISH: PASSIVATED.
2. THIS GUIDE PIN IS INTENDED TO BE INSERTED INTO A 3.05±.08 NONPLATED THROUGH HOLE.
3. SHORT GUIDE PINS TO BE USED WHEN A PCB STIFFENER IS PRESENT ON BOARD.
4. THIS GUIDE PIN IS TO BE USED WITH RECEPTACLE P/N 88917 FOR A 4 ROW APPLICATION, AND P/N 73474 FOR A 5 ROW APPLICATION.
5. PART NUMBERS WITH "LF" SUFFIX AT THE END ARE LEAD FREE OPTION.
6. THIS PRODUCT MEETS EUROPEAN UNION DIRECTIVES AND OTHER COUNTRY REGULATION AS DESCRIBED IN GS-22-008.

mat'l. code	surface	tolerance	projection	product family
ISO 1302	ISO 406	ISO 1101	MM	METRAL ACC
SEE NOTE 1				
ltr	ecn no	dr	date	tolerance unless otherwise specified
D	V12721	RPM	11/20/01	.0±.3
E	V12733	LSS	12/6/01	.00±.13
F	V20703	ICSD	04/15/02	0°±2'
G	V21845	TAB	10/15/02	.000±.0051
H	M06-0059	MHT	2/01/06	engr C.PENDLETON 4/24/98
J	M06-0271	MHT	7/22/06	chr C.PENDLETON 4/24/98
sheet	revision	J	pppd C.PENDLETON 4/24/98	scale 1:1
index	sheet	1		



product title  
METRAL ACC  
PRESS-FIT GUIDE PIN

dwg no  
74748  
sheet 1 of 1  
size  
A3

type  
Product Customer Drawing