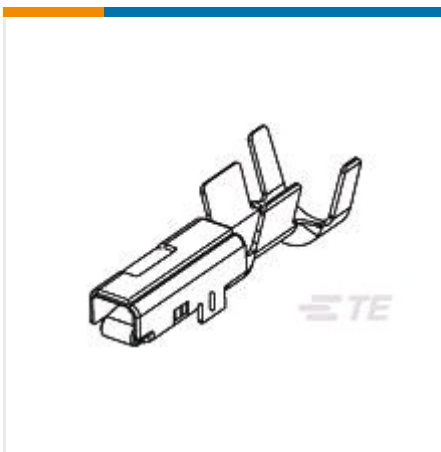




Need more information?

Detailed information about this product is not currently available on TE.com. [Contact us](#) for product documentation and for information about similar and replacement products.

CHAT NOW



✓ Active

TE CONNECTIVITY (TE)

090 II SEALED REC

MULTILOCK , RC

368287-1

TE Internal Number: 368287-1

EU RoHS Compliant

EU ELV Compliant



PRODUCT DRAWING

English



3D PDF

DOCUMENTATION

Product Drawings

.090 II SEALED RECEPTACLE

PDF

English

CAD Files

Customer View Model

2D_DXF.ZIP

English

Customer View Model

3D_IGS.ZIP

English

Customer View Model

3D_STP.ZIP

English

3D PDF

PDF

English

Product Specifications

Application Specification

APPLICATION SPEC FOR 090 TAB & REC CONTACTS

PDF

English

FEATURES



Please review product documents or [contact us](#) for the latest agency approval information.

Please Note: Use the Product Drawing for all design activity.

Detailed product features are not currently available online.

PRODUCT COMPLIANCE



Statement of Compliance

Statement of Compliance

PDF
