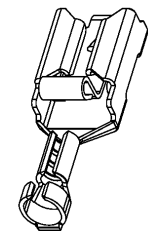
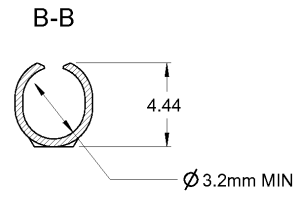
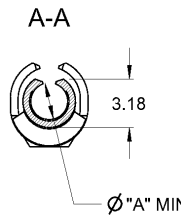
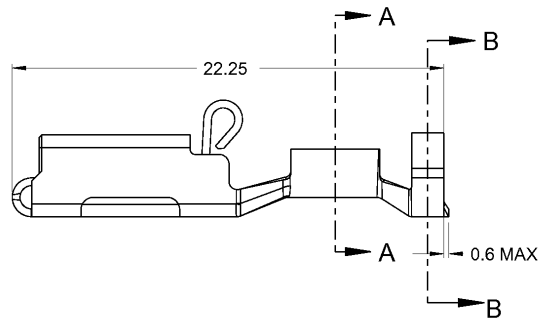


THIS DRAWING IS UNPUBLISHED. RELEASED FOR PUBLICATION 20
 BY TYCO ELECTRONICS CORPORATION. INTERNATIONAL RIGHTS RESERVED.

| LOC | DIST | REVISIONS | | | | | |
|-----|------|-----------|-----|---------------|----------|-----|------|
| B | E | P | LTR | DESCRIPTION | DATE | DWN | APVD |
| | | A | | ECR-09-021480 | 28/09/09 | MJG | JA |
| | | B | | ECR-10-006691 | 05/01/10 | MJG | JA |
| | | B1 | | ECR-10-022530 | 27MAY11 | KK | HMR |



- NOTES
- ALL OTHER DIMENSIONS FROM DWG 154718
 - WIRE SIZE: 0.7 - 2.0mm²
 - INSULATION RANGE: Ø 2.4 - 3.2mm
 - RECOMMENDED HAND TOOL: 525651
 - CONTACT TO BE USED WITH A 0.8mm THICK TAB
- △ PART TO CONFORM TO KTU 1177

| | | | |
|----------|---------|----------|---------------------|
| 2.16 | NONE | BRASS | 341002-8 / 6 |
| 1.9 | PRE-TIN | Ph Bz | 341002-7 |
| 1.9 | PRE-TIN | BRASS | 341002-6 |
| 1.9 | NONE | Ph Bz | 341002-5 |
| 1.9 | TIN | BRASS | 341002-3 |
| 1.9 | NONE | Ph Bz | 341002-2 |
| 1.9 | NONE | BRASS | 341002-1 |
| Ø "A" mm | FINISH | MATERIAL | PART NO |

OBSOLETE

| | | | | | |
|--|--|--|--|--|--|
| <small>THIS DRAWING IS A CONTROLLED DOCUMENT FOR TYCO ELECTRONICS CORPORATION. IT IS SUBJECT TO CHANGE AND THE CONTROLLING ENGINEERING ORGANIZATION SHOULD BE CONTACTED FOR THE LATEST REVISION.</small> | | DWN 29SEP2009 M.GREENER CHK 29SEP2009 J.JAMBROSE APVD 29SEP2009 J.JAMBROSE | | | |
| DIMENSIONS: mm | | TOLERANCES UNLESS OTHERWISE SPECIFIED: 0 PLC ±0.5 1 PLC ±0.2 2 PLC ±0.2 3 PLC ±0.1 4 PLC ±0.1 ANGLES ±° ±2 | | PRODUCT SPEC 108-3017 APPLICATION SPEC 114-2153 WEIGHT - | |
| MATERIAL SEE TABLE FINISH - | | NAME POSITIVE LOCK RECEPTACLE PRE-FORMED LOOSE PIECE | | SIZE CAGE CODE DRAWING NO RESTRICTED TO A3 00779 C-341002 - | |
| CUSTOMER DRAWING | | | | SCALE NTS SHEET 1 OF 1 REV B1 | |