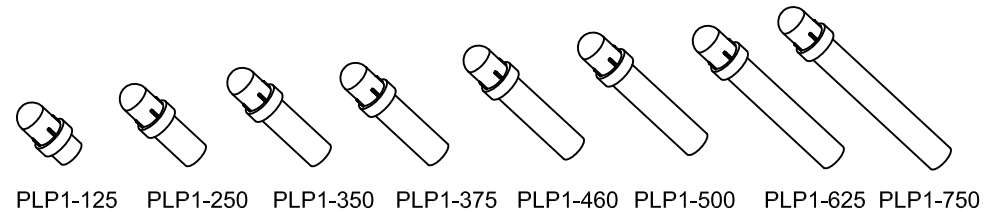
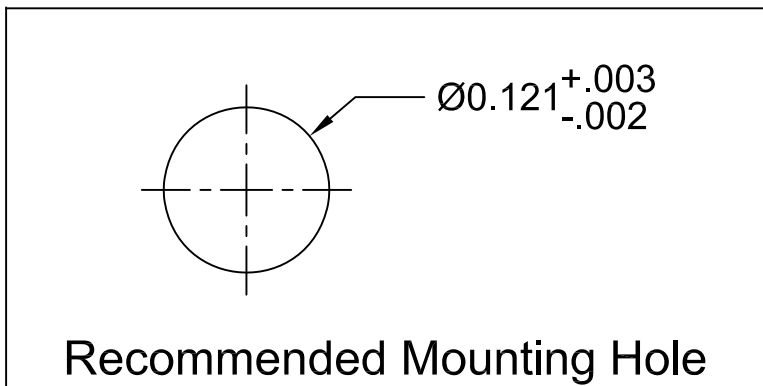
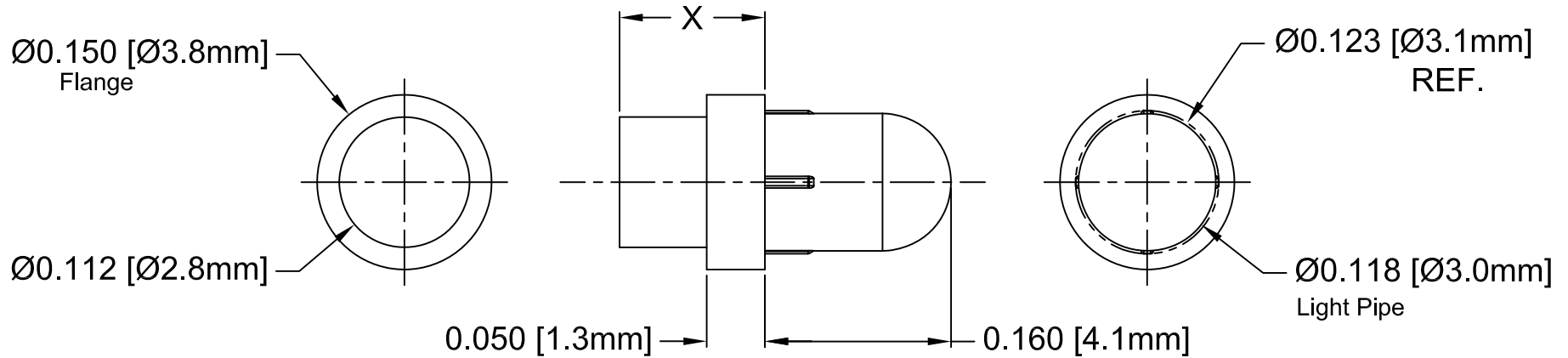


Part No.	X = Body Length
PLP1-125	0.125 ( 3.2mm )
PLP1-250	0.250 ( 6.4mm )
PLP1-350	0.350 ( 8.9mm )
PLP1-375	0.375 ( 9.5mm )
PLP1-460	0.460 ( 11.7mm )
PLP1-500	0.500 ( 12.7mm )
PLP1-625	0.625 ( 15.9mm )
PLP1-750	0.750 ( 19.0mm )

REV.	DESCRIPTION	DATE	APPROVED
K	Updated Rib Dimension.	04/10/09	T. Y.
L	Updated General Specifications Note 1.	10/01/12	T. Y.



2. MATERIAL: POLYCARBONATE, 94V-0, CLEAR. BIVAR MATERIAL CODE 47-CR. SAM YANG CORPORATION POLYCARBONATE 3025N2 CLEAR.
1. GENERAL SPECIFICATIONS: BIVAR MOLDED COMPONENT SPECIFICATION BV00-E101 and BSMC-1001 .

STANDARD TOLERANCE ( UNLESS OTHERWISE SPECIFIED )		<b>BIVAR</b> <sup>®</sup> 4 THOMAS, IRVINE, CA. 92618 TEL: (949) 951-8808 FAX: (949) 951-3974	
DECIMALS	ANGULAR		
.X ± .1	X° ± 1°	<b>TITLE:</b> PRESS-FIT, PANEL MOUNT, LIGHT PIPE, ROUND TOP	
.XX ± .01			
.XXX ± .005			
DESIGNED: <b>Michael Chen</b>	DATE: <b>01/16/02</b>	<b>PART NO:</b> PLP1-XXX	REVISION: L
CHECKED: <b>E. M. Muldoon</b>	DATE: <b>04/26/02</b>	<b>CAGE CODE :</b> 32559	<b>SHEET #</b> 1 OF 1
CAD GENERATED DOCUMENT, DO NOT MEASURE DRAWING.			