

# DC axial fans

□ 25 x 8 mm



- **Material:** Housing: GRP<sup>1)</sup> (PBT)  
Impeller: GRP<sup>1)</sup> (PA)
- **Direction of air flow:** Exhaust over struts
- **Direction of rotation:** Counter-clockwise, seen on rotor
- **Connection:** Via single wires AWG 28, TR 64
- **Mass:** 5 g

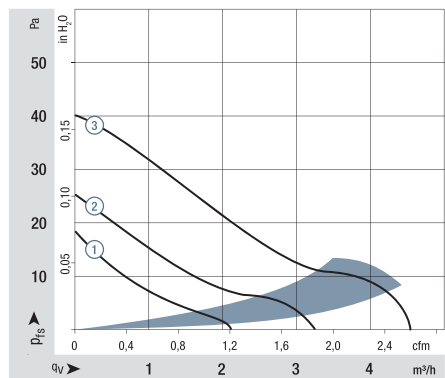
1) Fibreglass-reinforced plastic

Series 250 with Speed Signal /2

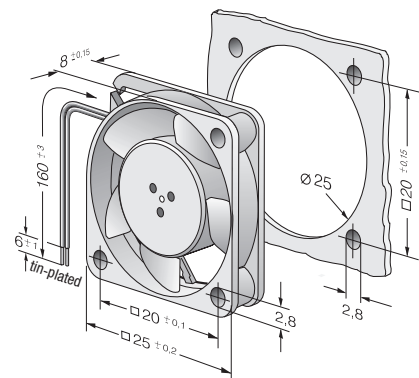
Nominal data	Air flow		Nominal voltage	Voltage range	Sound pressure level	Sound power level	Sinter sleeve bearings Ball bearings	Input power	Nominal speed	Temperature range	Service life L <sub>10</sub> (20 °C) ebm-papst Standard	Service life L <sub>10</sub> (60 °C) ebm-papst Standard	Life expectancy L <sub>10</sub> IPC (40 °C, see page 17)	Curve
	m <sup>3</sup> /h	cfm												
255 /2N	3,5	1,9	5	4,5...5,5	16	< 3	□	0,4	9 600	-10...+70	40 000 / 15 000	42 500	42 500	②
255 /2H	4,6	2,6	5	4,5...5,5	23	4,4	■	0,6	12 000	-10...+55	35 000 / 15 000*	37 500	37 500	③
252 /2N	3,4	1,9	12	10...14	15	< 3	■	0,5	9 000	-10...+70	40 000 / 15 000	42 500	42 500	②

Subject to alterations

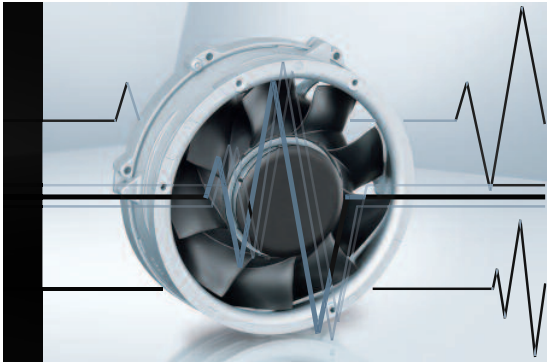
\* at 55 °C



Air performance measured as per: ISO 5801, installation category A, without accidental contact.  
Noise: Total sound power level L<sub>WA</sub> ISO 103002 measured on half-sphere of 2 m;  
Sound pressure level L<sub>pA</sub> measured at 1 m distance to fan axis.  
The acoustic values are only valid for the described measurement set-up and may vary depending on the installation situation.  
In case of any deviation to the standard setup, the values have to be checked and reviewed once installed or fitted.  
For detailed information see [http://www.ebmpapst.com/general\\_conditions](http://www.ebmpapst.com/general_conditions)

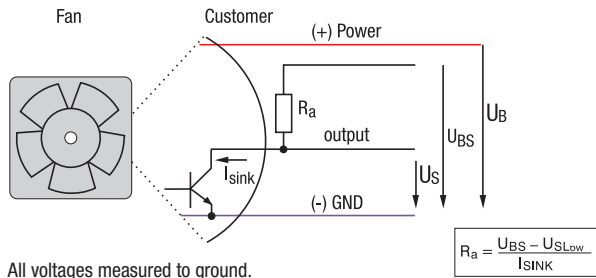


# Speed signal /2



- Speed-proportional square-wave signal for external speed monitoring of fan motor
- 2 pulses per revolution
- Open collector signal output
- Extremely wide operating voltage range
- Easy adaptation to user interface
- Connection via separate lead
- The sensor signal also serves as a major comparison variable for setting and maintaining the setpoint speed for interactive or controlled cooling with one or several interconnected fans.

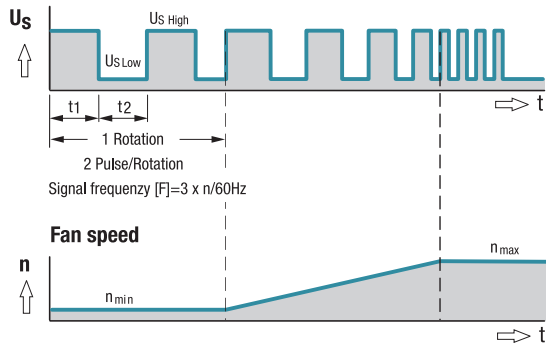
## Electrical connection



All voltages measured to ground.  
External load resistor  $R_a / U_S / U_{BS}$  required.

## Signal output voltage

Standard signal for all models (exceptions see below)



## Signal data

Type	VDC	mA	VDC	mA	VDC	mA	Page
250	≤ 0,4	2	≤ 30	0	30	2	31

Subject to alterations

# Mouser Electronics

Authorized Distributor

Click to View Pricing, Inventory, Delivery & Lifecycle Information:

[ebm-papst:](#)

[255/2N](#) [255/2H](#) [252/2N](#)