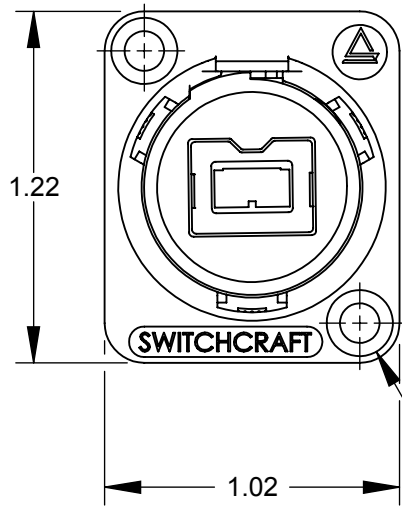
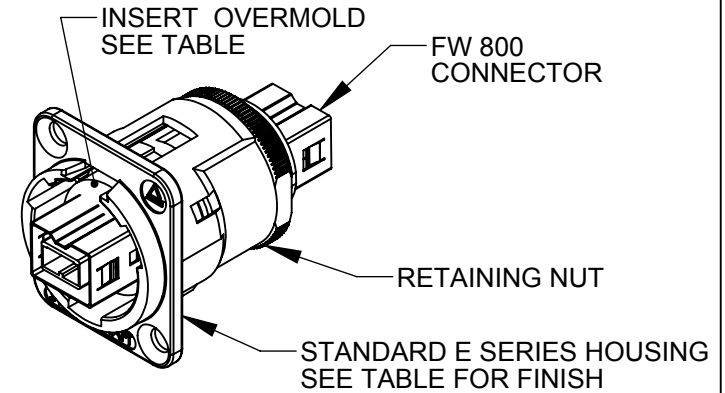
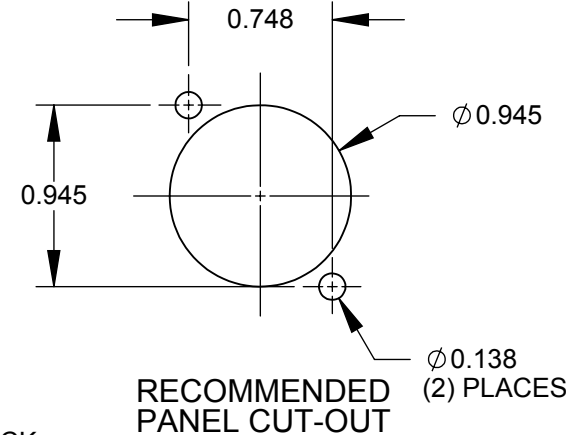
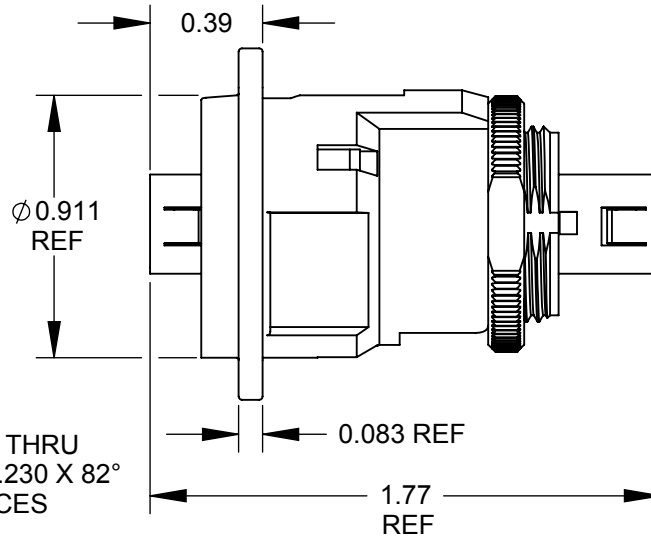


PART NUMBER	INSERT COLOR & WIRING	HOUSING FINISH
EHFW800X2	RED - CROSS WIRED	NICKEL
EHFW800X2B	RED - CROSS WIRED	BLACK CHROME



Ø0.138 THRU
 ✓ Ø0.230 X 82°
 (2) PLACES



PIN ASSIGNMENT									
EHFW800X2 & EHFW800X2B									
CROSS WIRED									
1	2	3	4	5	6	7	8	9	SHIELD
						NC			
3	4	1	2	9	6	7	8	5	SHIELD



NOTES:

1. MATERIALS:
 INSERT OVERMOLD - THERMOPLASTIC, BLACK
 RETAINING NUT - BRASS, NICKEL PLATED
 HOUSING - ZINC ALLOY
2. THERE IS NO CONNECTION BETWEEN PINS 7 AND 7.
3. THIS PRODUCT IS RoHS COMPLIANT.

CUSTOMER DRAWING

					THIS DRAWING DESCRIBES A DESIGN CONSIDERED PROPRIETARY IN NATURE, DEVELOPED AND MANUFACTURED BY SWITCHCRAFT INC. AND IS RELEASED ON A CONFIDENTIAL BASIS FOR IDENTIFICATION PURPOSES ONLY.						
					SIZE	WIDTH	MULT	LBS/M	TEMPER		
					FINISH			MATERIAL			
					SPEC No.			SPEC No.			
					FIRST USED ON		SCALE 1.5:1				
D	26611	09/08/10	JEB	TJK	DATE DRAWN	BY	CHKD	APVD	Switchcraft®		
C	26467	11/30/09	RS	TJK	1/9/08	JGK	RS	TJK			
B	26415	7/17/09	TJK	TJK			5/1/09	5/1/09			
A	26308	12/1/08	RS	TJK	SHEET 1 OF 1						
REV	ECO NUMBER	DATE	BY	APVD	NAME				PART No.	REV	
REVISIONS					FIREWIRE 800 FEED-THRU SERIES				EHFW800 SERIES		D

DO NOT SCALE DRAWING

SolidWorks CAD File

