

# SPECIFICATION

## FOR APPRONAL

Customer : \_\_\_\_\_

Product Name : Siren \_\_\_\_\_

Model Name : VSS-90V24T1 \_\_\_\_\_

Drawing No. : VS20221128019 \_\_\_\_\_

### Signature of Voise

Approved by	Checkde by	Issued by	Date

 **福爱斯电子有限公司**  
VOISE ELECTRONICS CO.,LTD.

Address:No 96 Mogao Dongqian Lake Industial Area ningbo,China,  
Tel:0086-0574-87773030;Fax:0086-0574-87471600 P.C.315121  
<http://www.nbvoise.com> Email:sales@nbvoise.com

<b>Specification for Siren</b>		Page	2/3
		Revision No.	1.0
Model No. : VSS-90V24T1		Drawing No.	VS20221128019

## 2. Scope

This specification is applied to the siren used for sounder in alarm systems, Please contact us when using this product for any other applications than described in the above.

## 3. General

- 2.1 Out-Diameter : 90 mm
- 2.2 Height Xlight : 85x86 mm
- 2.3 Weight : 200 ±10g
- 2.4 Operating Temperature range:  
-20~+60 °C without loss of function
- 2.5 Store Temperature range:  
-30~+70 °C without loss of function

## 4. Electrical and Acoustic Characteristics.

Test condition : 15 ~ 35 °C, 25% ~ 85% RH, 860~1060 mbar

No	Items	Specification
1	Rated voltage	24VDC
2	Operating voltage	6-30VDC
3	Max Rated Current	150-350-530 mA at 6-12-24VDC
4	Min Sound pressure Level	90-102-106 dB at 6-12-24VDC/100cm
5	Tone Nature	Siren
6	shell Material /color	ABS/Black
7	Wire	Red +24VDC
8	Wire	Black GND

# Specification for Siren

Page

3/3

Revision No.

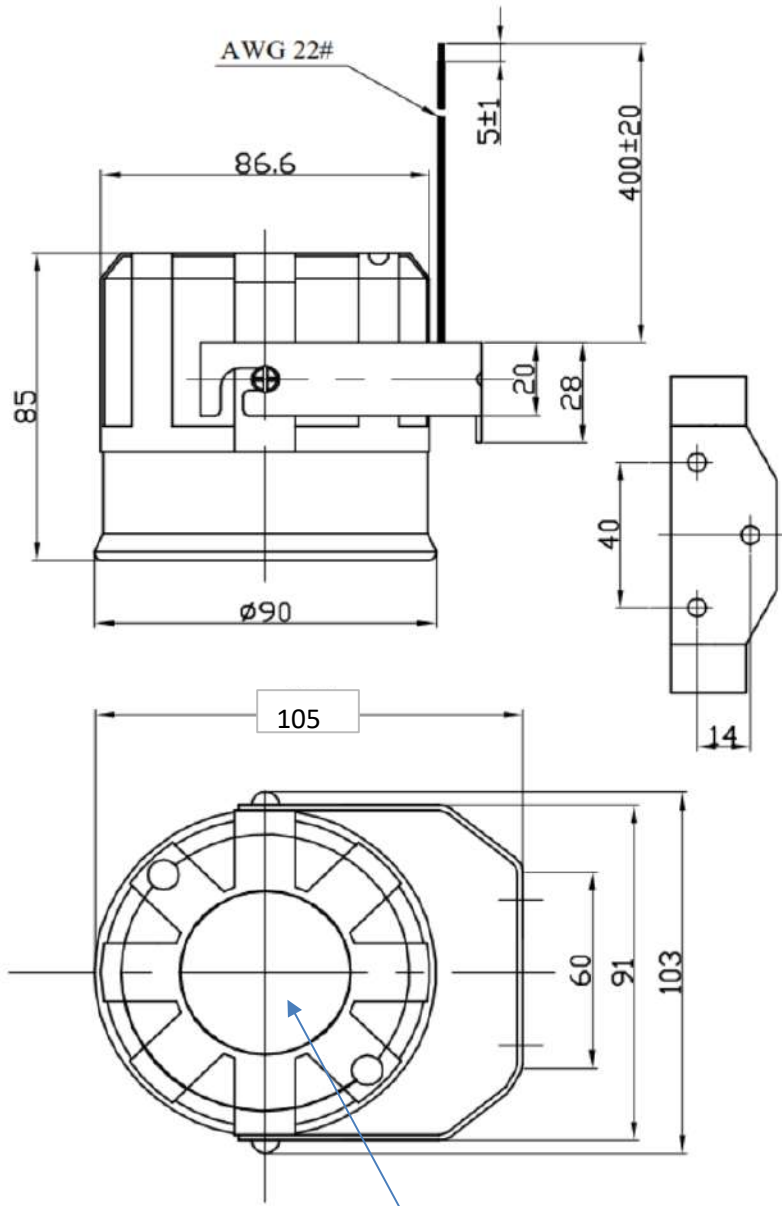
1.0

Model No. : VSS-90V24T1

Drawing No.

VS20221128019

## 5. Dimensions



FIRST ANGLE PROJECTION



Marking  
VSS-90V24T1  
6-30VDC

UNIT : mm

Tolerance : ±1.5