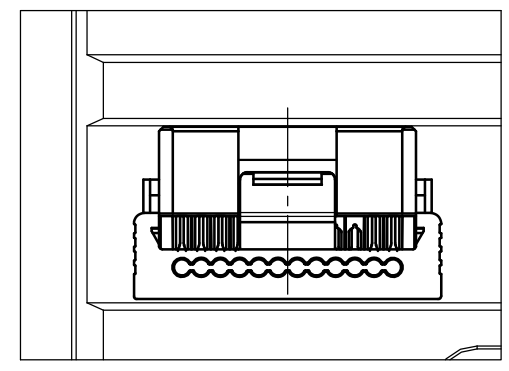
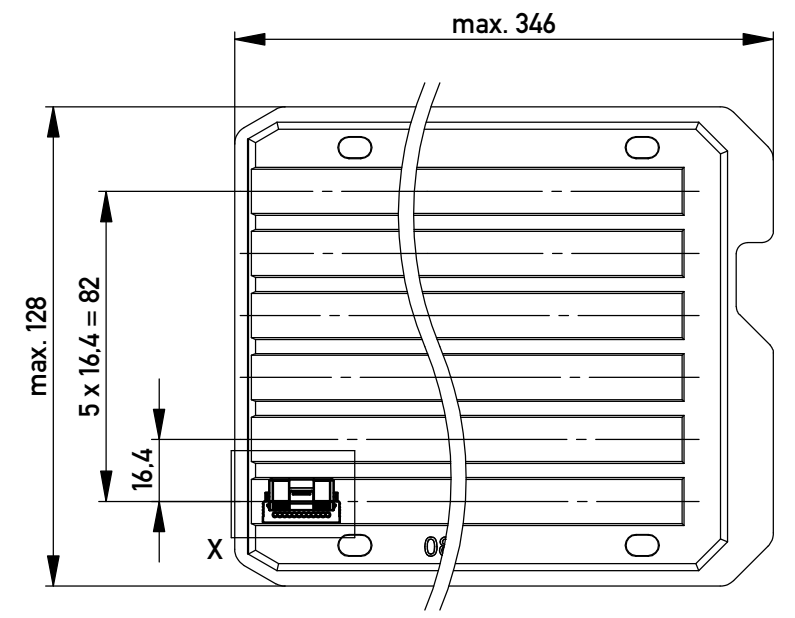


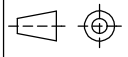

Einzelheit X - detail X
M 2:1



Verpackt in Tray - tray packaging
Verpackungseinheit 90 Stück - packaging unit: 90 pcs



Copyright by ERNI Production GmbH & Co. KG
Proprietary notice pursuant to ISO 16016 to be observed.

Information: All rights reserved. Only for Information. To ensure that this is the latest version of this drawing, please contact one of the ERNI companies before using.	Tolerances Subject to modification without prior notice. Drawing will not be updated.	 All Dimensions in mm	Scale	5:1	nur mit Hilfsmittel lösbar, für die Anforderung nach PG 9 der LV214 (Koshiri-Sicherheit) <i>only with tool unlockable, for the requirement of the LV214 PG 9 (Koshiri-security)</i>
			Designation	F 1,27 SRC P IDC 12-pin KS d=1,07 AWG24/26 Positive Lock	
Index	Date	 www.ERNI.com	484661		I A3
			Class	SRCP	

Mouser Electronics

Authorized Distributor

Click to View Pricing, Inventory, Delivery & Lifecycle Information:

[TE Connectivity:](#)

[484661](#) [484661-E](#)