

Ferrule - AI 10 -12 BN

3200124

<https://www.phoenixcontact.com/us/products/3200124>



Please be informed that the data shown in this PDF document is generated from our Online Catalog. Please find the complete data in the user documentation. Our General Terms of Use for Downloads are valid.

Ferrule, sleeve length: 12 mm, length: 22 mm, color: brown



Your advantages

- In terms of dimensions, these ferrules conform to DIN 46228-4: 1990-09
- The color code of the plastic insulating collar is based on the French standard NF C 63-023: 1994-02
- The metal sleeves are made from soft tin-plated electrolytic copper

Ferrule - AI 10 -12 BN



3200124

<https://www.phoenixcontact.com/us/products/3200124>

Commercial Data

Item number	3200124
Packing unit	1 pc
Minimum order quantity	100 pc
Sales Key	B16
Product Key	BH3411
Catalog Page	Page 482 (C-3-2019)
GTIN	4017918093778
Weight per Piece (including packing)	0.523 g
Weight per Piece (excluding packing)	0.514 g
Customs tariff number	85369010
Country of origin	DE

3200124

<https://www.phoenixcontact.com/us/products/3200124>

Technical Data

Product properties

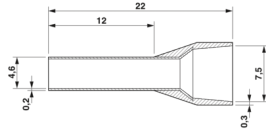
Product type	Ferrule
Conductor category	Stranded conductors, class 2, 5, 6 / B, C, K, M

Connection data

Conductor connection

Conductor cross section flexible max.	10 mm ²
Conductor cross section AWG max.	8
Stripping length	15 mm

Dimensions

Dimensional drawing	
Length	22 mm
Sleeve length	12 mm
Maximum stripping length	15 mm
Ferrule diameter	4.6 mm
Sleeve wall thickness	0.2 mm
Insulating collar thickness	0.3 mm
Inner dimensions of the insulating collar	7.5 mm

Material specifications

Color	brown
Material	CU-DHP
Flammability rating according to UL 94	HB
Coating	tin-plated (galvanic)
Components	free from silicone and halogen

Mechanical properties

Technical data

Sleeve length	12 mm
---------------	-------

Environmental and real-life conditions

Ambient conditions

Permanent temperature	105 °C (-40°C no load / 0°C dynamic load)
Short-term temperature	120 °C

Ferrule - AI 10 -12 BN

3200124

<https://www.phoenixcontact.com/us/products/3200124>



Standards and regulations

Design according to standard

DIN 46228-4:2017-05

Ferrule - AI 10 -12 BN

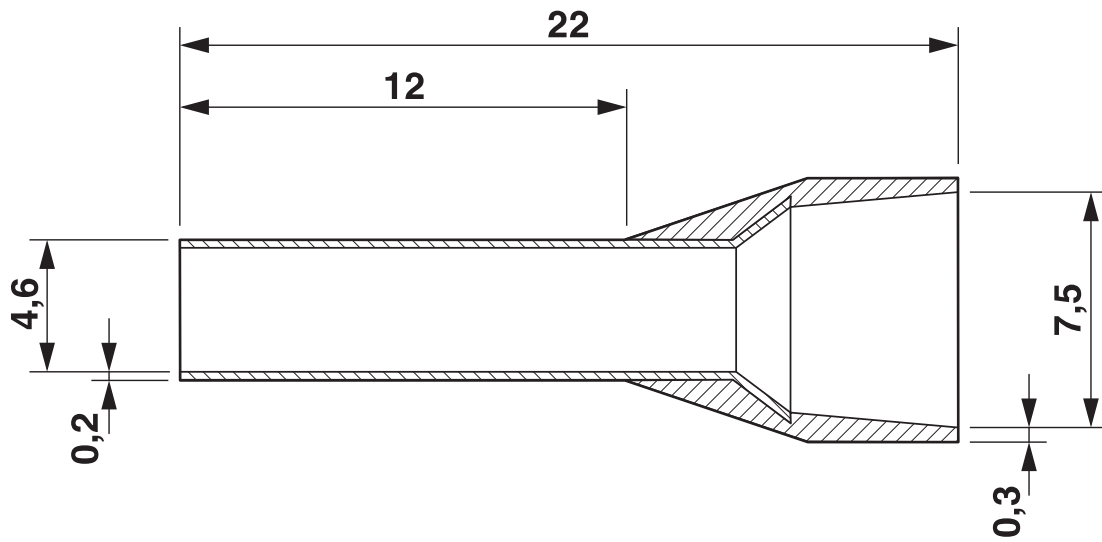
3200124

<https://www.phoenixcontact.com/us/products/3200124>



Drawings

Dimensional drawing



Ferrule - AI 10 -12 BN



3200124

<https://www.phoenixcontact.com/us/products/3200124>

Approvals



CSA

Approval ID: 247397



CSAus

Approval ID: 247397

cCSAus

Ferrule - AI 10 -12 BN



3200124

<https://www.phoenixcontact.com/us/products/3200124>

Classifications

ECLASS

ECLASS-9.0	27400201
ECLASS-10.0.1	27400201
ECLASS-11.0	27400201

ETIM

ETIM 8.0	EC000005
----------	----------

UNSPSC

UNSPSC 21.0	27121700
-------------	----------

Ferrule - AI 10 -12 BN



3200124

<https://www.phoenixcontact.com/us/products/3200124>

Environmental Product Compliance

China RoHS	Environmentally friendly use period: unlimited = EFUP-e
	No hazardous substances above threshold values

Phoenix Contact 2022 © - all rights reserved
<https://www.phoenixcontact.com>

Phoenix Contact USA
586 Fulling Mill Road
Middletown, PA 17057, United States
(+717) 944-1300
info@phoenixcon.com