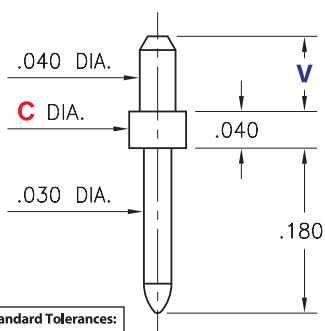


## PRODUCT NUMBER: 3137-1-00-21-00-00-08-0

### 313X-X-00-XX-00-00-08-0

Solder mount in .043 min. mounting hole

[Click on image carousel below for additional details](#)



**Standard Tolerances:**  
 Lengths:  $\pm .005$   
 Diameters:  $\pm .002$   
 Angles:  $\pm 2^\circ$

Basic Part Number	Board Thickness	Length (V)	Flange Dia. (C)
3136-1	.062	.082	.078
3136-2	.094	.110	
3136-3	.125	.145	
*3137-1	.062	.082	.062
3137-2	.094	.110	
3137-3	.125	.145	
3137-4	.156	.185	

**\* Available packaged on Tape & Reel**

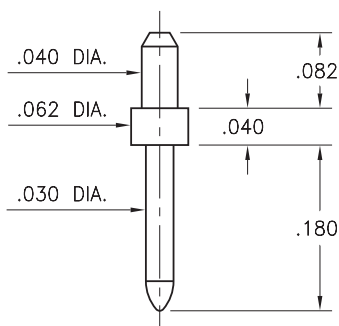
### 3137-1-00-XX-00-00-08-0

Solder mount in .043 mounting hole

Also available on 16mm wide X 12mm pitch carrier tape:

580 parts per 13" reel

[Order as: 3137-1-57-XX-00-00-08-0](#)



**Standard Tolerances:**  
 Lengths:  $\pm .005$   
 Diameters:  $\pm .002$   
 Angles:  $\pm 2^\circ$

## DESCRIPTION

Solder Mount PCB Pin

**Current Rating:**

Application Specific

**Operating Temperature Range:**

-55/+125° C

**Mounting Feature:**

Through-Hole Solder Mount

**Tail Type:** Soldertail

**Mounting Hole:** .043" (1,092mm)

**Tail Diameter:** .030" (0,762mm)

**Packaging:** 00 - Packaged in Bulk

<b>Shell Plating</b>	<b>Contact Plating</b>	<b>ROHS</b>
----------------------	------------------------	-------------

20  $\mu$ " Gold over Nickel



## STANDARD TOLERANCES ON PCB TERMINAL PINS & RECEPTACLES

Diameters +/- .002"

Lengths +/- .005"

Angles +/- 2°

## STANDARD TOLERANCES ON SPRING-LOADED PINS

Diameters +/- .002"

Lengths +/- .006"


Angles +/- 2°

## ADDITIONAL NOTES & SPECIFICATIONS

In the interest of improved design, quality and performance, Mill-Max reserves the right to make changes in its specifications without prior notice. Specifications and tolerances are provided wherever possible. The tolerance on dimensions of critical

to function features is typically held tighter than the stated standard tolerances, such as press-fits, holes and lengths affecting the coplanarity of SMT products. Due to the wide variety of interconnects Mill-Max offers, the specific tolerances vary from product to product. If you need information regarding the tolerance of a particular part, please contact Technical Services.

---

 © 2020 Mill-Max Mfg. Corp.  
190 Pine Hollow Rd , Oyster Bay, NY 11771, USA  
Phone: 516.922.6000