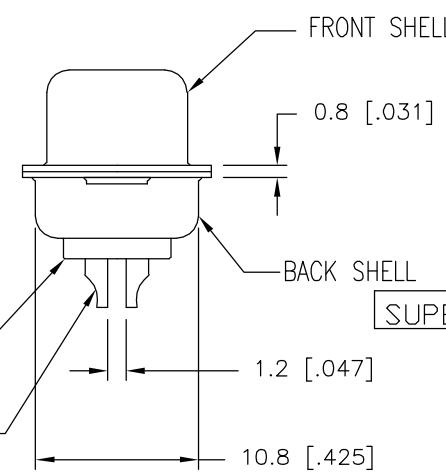
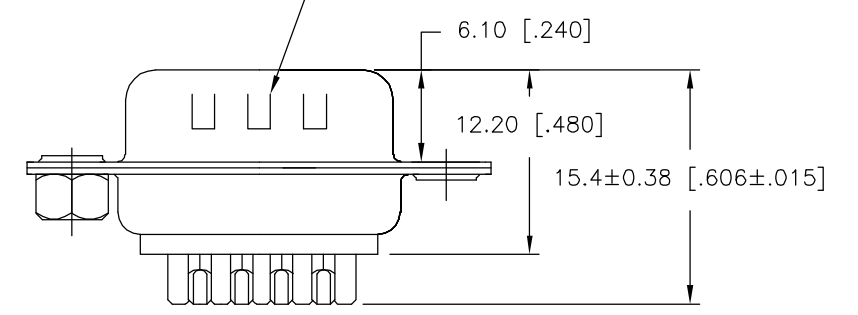
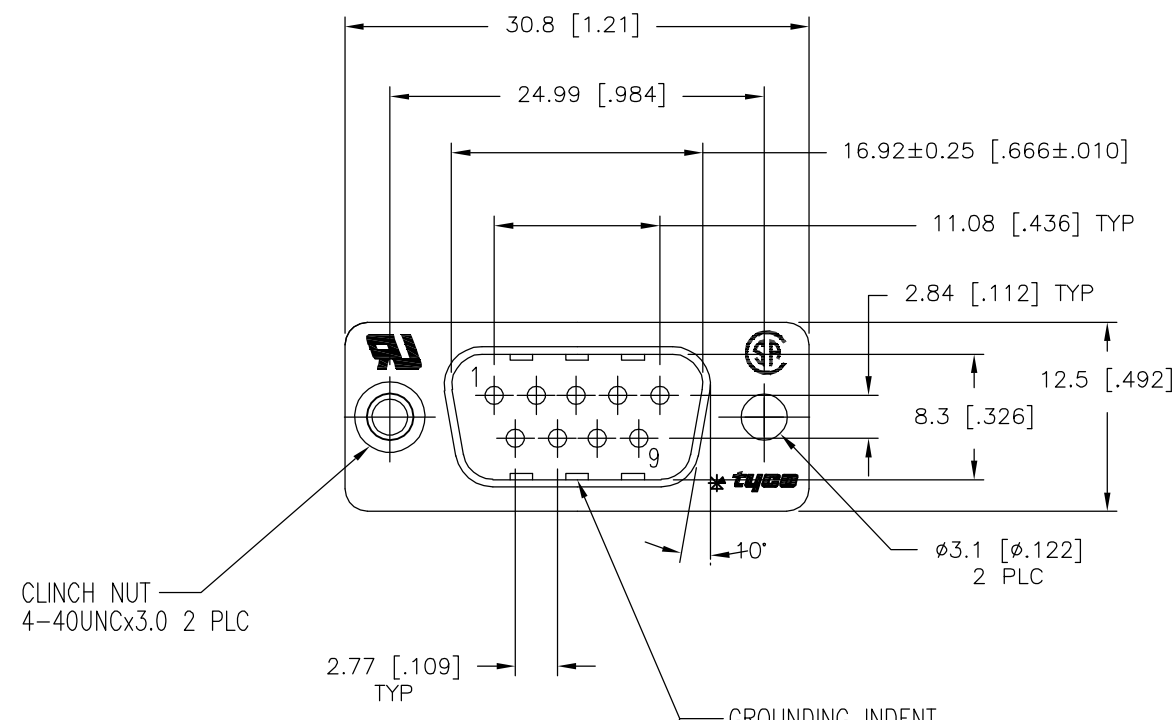


THIS DRAWING IS UNPUBLISHED. RELEASED FOR PUBLICATION  
 © COPYRIGHT - BY TYCO ELECTRONICS CORPORATION. ALL RIGHTS RESERVED.

LOC	DIST	REVISIONS					
BD	00	P	LTR	DESCRIPTION	DATE	DWN	APVD
			R1	ECO-05-10192	06OCT05	MB	JO

- MATERIAL:**
- 1 FRONT INSULATOR: PBT, 30 %GF, UL94V-0, BLACK COLOR
  - 2 BACK INSULATOR: PBT, 30 %GF, UL94V-0, BLACK COLOR
  - 3 CONTACT: BRASS
  - 4 FRONT SHELL: STEEL
  - 5 BACK SHELL: STEEL
  - 6 CLINCH NUTS: BRASS
- FINISH:**
- 2 CONTACT: GOLD PLATING 0.00002[.0000008] MIN ON CONTACT AREA 0.00229 [0.00090] MIN TIN-LEAD PLATING ALL OVER 0.00127[.000050] MIN NICKEL
  - 3 CONTACT: GOLD PLATING 0.00076[.000030] MIN ON CONTACT AREA 0.00229 [0.00090] MIN TIN-LEAD PLATING ALL OVER 0.00127[.000050] MIN NICKEL
  - 4 SHELL: TIN 0.0241[.000095] MIN FULL SHELL
  - 5 SHELL: ZINC 0.00076[.000300] MIN FULL SHELL
  - 6 CONTACT: GOLD PLATING 0.00002[.0000008] MIN ON CONTACT AREA 0.00229 [0.00090] MIN TIN-COPPER PLATING ALL OVER 0.00127[.000050] MIN NICKEL
  - 7 CLINCH NUTS: NICKEL PLATING .00305-.00508[.000120-.000200]
- 8. SPECIFICATION**
- ELECTRICAL CHARACTERISTICS: CURRENT RATING: 3 AMPERES  
 DIELECTRIC WITHSTANDING VOLTAGE: AC 1000V r.m.s  
 INSULATION RESISTANCE: 5000 MEGOHMS MINIMUM AT DC 500V  
 CONTACT RESISTANCE: 10 MILLIOHMS MAXIMUM.

- 9 ROHS 2002/95/EC/COMPLIANT
- 10. PLUG ASSEMBLY MATES WITH ANY 9 POSITION RECEPTACLE IN AMPLIMITE SERIES
- 11. SOLDER CUP WILL ACCOMODATE 20 AWG MAX WIRE
- 12 CONTACT: GOLD PLATING 0.00076[.000030] MIN ON CONTACT AREA 0.00229[.000090] MIN TIN-COPPER ALL OVER 0.00127[.000050] MIN NICKEL PLATING



9	STANDARD	YES	YES	6	4	5-747904-8
9	STANDARD	NO	YES	12	4	5-747904-5
9	STANDARD	NO	YES	6	4	5-747904-2
9	STANDARD	NO	YES	6	4	747904-9
	STANDARD	YES	YES	6	4	747904-8
	STANDARD	NO	YES	6	4	747904-5
	STANDARD	NO	NO	6	4	747904-4
	STANDARD	NO	YES	6	4	747904-2
	PACKAGING TYPE	CLINCH NUTS	GROUNDING INDENTS	CONTACTS	SHELLS	PART NO

SUPERSEDED TO 5-747904-2

THIS DRAWING IS A CONTROLLED DOCUMENT.		DWN	M.BINNER	03MAR03	Tyco Electronics Corporation Harrisburg, PA 17105-3608		
DIMENSIONS: mm		CHK	R.BENDORF	05MAR03			
TOLERANCES UNLESS OTHERWISE SPECIFIED:		APVD	R.BENDORF	05MAR03	NAME		
0 PLC ± -		PRODUCT SPEC		PLUG ASSY, SOLDER CUP, SIZE 1, 9 POSN, HD-20, AMPLIMITE			
1 PLC ± 0.25		APPLICATION SPEC		SIZE			
2 PLC ± 0.13		-		CAGE CODE		RESTRICTED TO	
3 PLC ± 0.05		-		DRAWING NO			
4 PLC ± -		WEIGHT		A300779		C-747904	
ANGLES ± 4'		-		SCALE		1:1	
MATERIAL		FINISH		SHEET		1 OF 1	
1		SEE TABLE		REV		R1	
CUSTOMER DRAWING				SCALE 1:1 SHEET 1 OF 1 REV R1			