

THIS DRAWING IS UNPUBLISHED.

RELEASED FOR PUBLICATION

LOC J

DIST -

REVISIONS

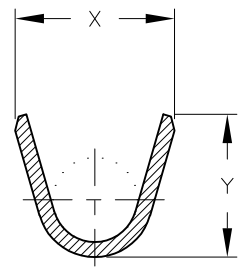
© COPYRIGHT 2009 Tyco Electronics Japan G.K.

ALL RIGHTS RESERVED.

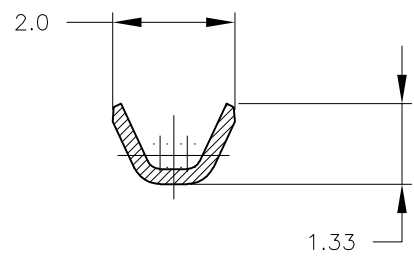
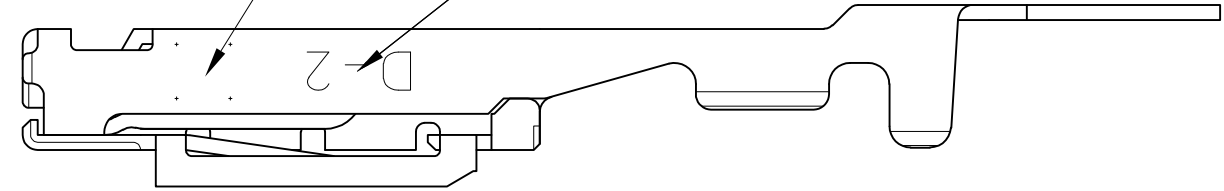
P	LTR	DESCRIPTION	DATE	DWN	APVD
	F	REVISED	11APR2014	T.S	N.Y

WIRE RANGE ID MARK
 S : 1318106-1
 S1 : 1-1318106-1 \triangle

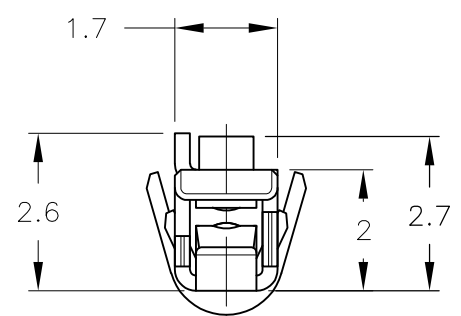
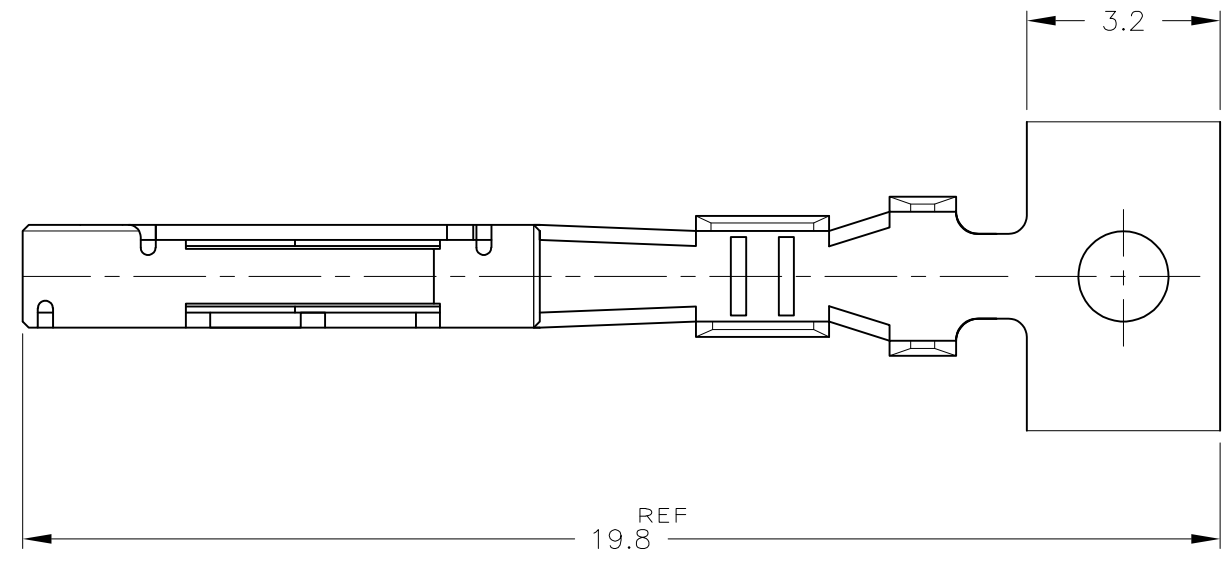
CONTACT ID MARK



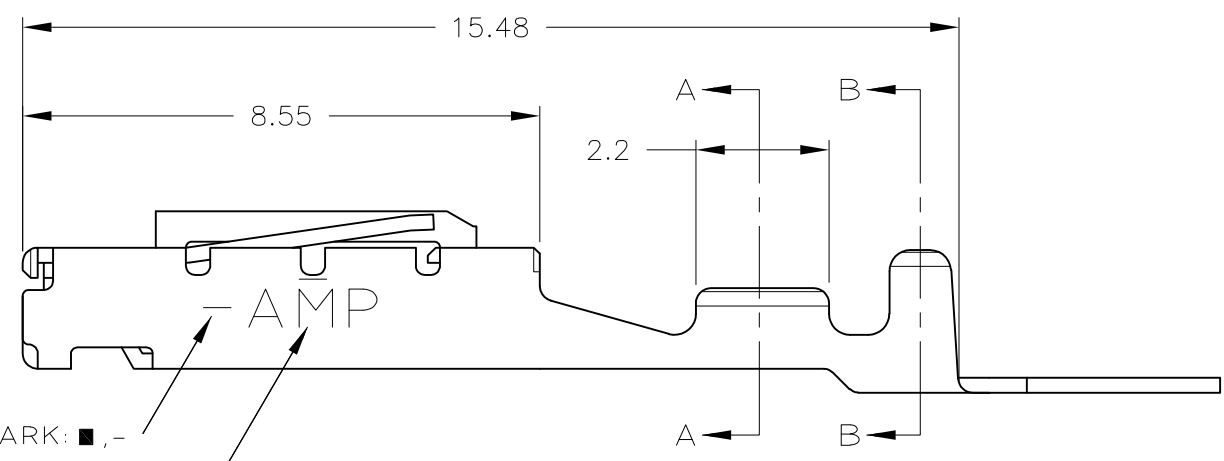
SECT B-B



SECT A-A



TOOLING ID MARK: ■, -



AMP MARK

- 1 . FINISH (CONTACT AREA) :
0.38 μ mMIN GOLD PLATING OVER NICKEL PLATING.
- \triangle . APPLICABLE WIRE FOR THIS CONTACT IS UL1051 ONLY.
(SEE 114-5258 AS DETAIL)

AWG #	INSULATION DIA	Y	X	PART NO	
AWG #24 \triangle	2.20~2.25		2.70	3.06	1-1318106-1
AWG #28~#24	0.88~1.50		2.36	2.63	1318106-1

THIS DRAWING IS A CONTROLLED DOCUMENT.

DIMENSIONS:	TOLERANCES UNLESS OTHERWISE SPECIFIED:
mm	
	0 PLC ± 0.4
	1 PLC ± 0.4
	2 PLC ± 0.4
	3 PLC ± 0.4
	4 PLC ± 0.4
	ANGLES $\pm 5^\circ$

MATERIAL CUPPER ALLOY

FINISH SEE NOTE

DWN	K.IKEDA	07DEC1998
CHK	N.MATSUBARA	07DEC1998
APVD	I.HASEGAWA	07DEC1998
PRODUCT SPEC	108-5619	
APPLICATION SPEC	114-5258	
WEIGHT	-	



NAME: DYNAMIC 2000 SERIES
 REC CONTACT
 S-SIZE

SIZE	CAGE CODE	DRAWING NO	RESTRICTED TO
A3	00779	C-1318106	-

CUSTOMER DRAWING SCALE 8:1 SHEET 1 OF 1 REV F