

CHARACTERISTICS

ELECTRICAL:

CIRCUIT: SINGLE POLE, 4 THROW, CENTER OFF  
 MOMENTARY CONTACT (SELF RETURN TO CENTER OFF.)  
 RATING: 1 AMP INDUCTIVE AT 28 VDC FOR 100,000 CYCLES  
 OVERLOAD: 2 AMP INDUCTIVE AT 28 VDC FOR 100 CYCLES  
 DWV: 1050 VRMS

MECHANICAL:

SWITCH ACTION SHALL BE SMOOTH, NO SNAP ACTION.  
 LEVER TRAVEL: 15° MAX. FROM CENTER OFF.  
 ACTUATING FORCE: 16 OZ. ± 6 OZ.  
 LEVER PIVOT & STOP STRENGTH: SWITCH MUST BE CAPABLE OF WITHSTANDING A FORCE OF 25 LBS (B) APPLIED TO THE ACTUATING BUTTON. THE BUTTON SHALL ALSO WITHSTAND A 15 LB MINIMUM PULL FORCE.

PHYSICAL:

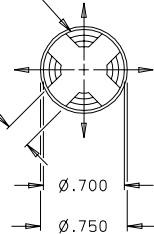
BUTTON: BLACK NYLON  
 HOUSING: BLACK ANODIZED ALUMINUM ALLOY  
 SWITCH BODY: BLACK RYTON  
 ENCLOSURE: DUSTTIGHT AND MEETS ENVIRONMENTAL TESTING OF MIL-S-9419

MOUNTING HARDWARE:  
 MS250B2-B16 HEX NUT  
 INTERNAL TOOTH LOCKWASHER

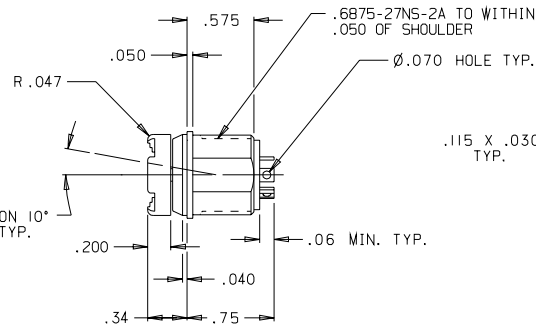
MARK: OTTO 21649  
 T4-0122  
 & DATE CODE

(3) .050 WIDE STEPS,  
 EACH .020 DEEP TO  
 Ø.400 AT CENTER

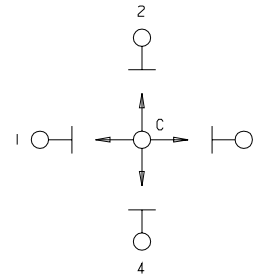
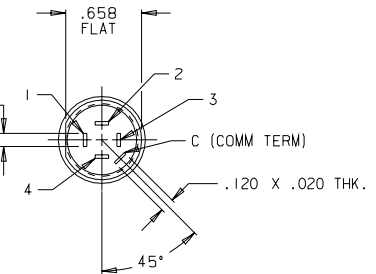
.220 TYP.



ACTUATION 10°  
 MAX. TYP.



.115 X .030 THK.  
 TYP.



1 SCHEMATIC

T4-0122

LET	OCN	DATE	APR
A	962027	04 JUN 96	DR
B	964243	05 NOV 96	DR

NOTE:

1 CONTACT MADE IN OPPOSITE DIRECTION OF LEVEL TRAVEL.

2. BUTTON ORIENTATION SHALL BE WITHIN ±5° OF THE HOUSING FLAT AS SHOWN.

- MINOR
- MAJOR
- CRITICAL
- SPC CRITICAL

UNLESS OTHERWISE SPECIFIED: DIMENSIONS ARE IN INCHES. TOLERANCES: .XX ±.03 .XXX ±.010 ANGLES ±2° DO NOT SCALE

THIRD ANGLE PROJECTION

OTTO CONTROLS  
 DIVISION OF  
 OTTO ENGINEERING INC.  
 CARPENTERSVILLE, ILLINOIS USA

THIS DOCUMENT IS THE CONFIDENTIAL PROPERTY OF OTTO ENGINEERING, INC. IT IS PROVIDED ON A RESTRICTED BASIS AND IS NOT TO BE USED IN ANY WAY DETRIMENTAL TO THE INTERESTS OF OTTO ENGINEERING, INC..

PART NAME  
 SWITCH, 4-WAY TOGGLE

DRWN. LH	SIZE	FSCM NO	DRAWING NO.	REV.
CHKD. EB	B	21649	T4-0122	B
APPD. MGC				
DATE 17 MAR 93	WT. 10 GRMS APPRX	SCALE 1:1	SHEET 1 OF 1	