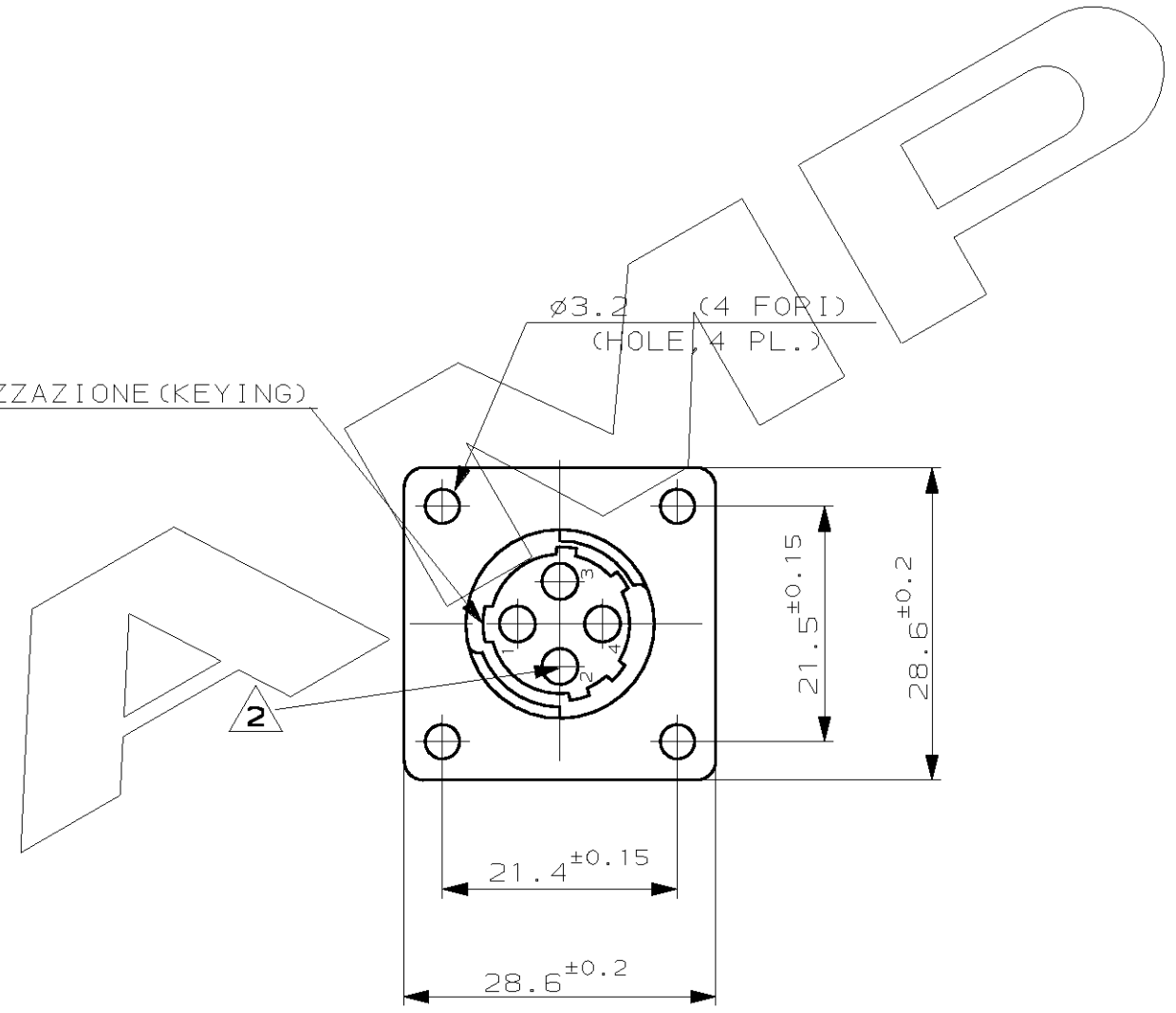


POLARIZZAZIONE (KEYING)



IL DISEGNO INDICA IL P.N. 182917-1 (P.N. 182917-1 AS SHOWN)

NOTE (NOTES)

- MATERIALE (MATERIAL): TERMOPLASTICO COLORE NERO (THERMOPLASTIC, BLACK COLOR)
- OGNI CAVITA' E' IDENTIFICATA DAL NUMERO POSTO SIA SUL FRONTE CHE SUL RETRO DEL CONNETTORE. (CONTACT CAVITIES IDENTIFIED BY CHARACTERS) (ON FRONT AND REAR FACES OF CONNECTOR.)
- QUESTO CONNETTORE E' APPROVATO CON FILE N.E28476 E CERTIFICATO CON FILE N.LR7189A-259 (THIS CONNECTOR IS RECOGNIZED BY FILE N.E28476 AND CERTIFIED BY FILE N.LR7189A-259)

| FINITURA / COLORE (FINISH / COLOUR) | MATERIALE (MATERIAL) | NUMERO (PART NUMBER) |
|--|--|--|
| CUSTOMER DWG. FOR REFERENCE ONLY | DISEGNO PER CLIENTE SOLO PER RIFERIMENTO | 19 |
| THIS DRAWING IS UNPUBLISHED | | RELEASE FOR PUBLICATION |
| © COPYRIGHT 19 BY AMP INCORPORATED, HARRISBURG, PA. ALL INTERNATIONAL RIGHT RESERVED. AMP PRODUCTS MAY BE COVERED BY U.S. AND FOREIGN PATENT AND/OR PATENT PENDING | | |
| TOLLERANZE: SE NON DIVERSAMENTE SPECIFICATO (TOLERANCES: UNLESS OTHERWISE SPECIFIED) | DIAM. ISOLANTE (INS. DIA. RANGE) | RANGO FILO (WIRE RANGE) |
| ± 0.3 | - | - |
| ANGOLI (ANGLES) | AMP AMP ITALIA Sp.A. Corso F.Lli Cervi, 15 COLLEGNO (TORINO) | |
| DIS. - C.CORDOLA (DR.) - 29 JUNE 91 | DESCRIZIONE (DESCRIPTION) | C.P.C. SQUARE FLANGE RECEPTACLE FOR PIN CTC.S, SIZE 11-4, STD. SEX |
| C2 UPDATED PRODUCT DESCRIPTION FOR ET00-01B2-02 D.C. 29 NOV 2002 | CONT. (CHK) | LOC. SIZE NUMERO (DWG NO) |
| C1 REVISED ET00-0123-99 G.S. 01-08 99 | APP. (APP.) | I A3 C-182917 C2 |
| A RELEASED C.C. 10-9 | REV. (REV.) | FOGLIO (SHEET) 1 DI (OF) 1 |
| REV. (REV. LTR.) | REVISIONI (REVISION RECORD) | DIS. DATA (DR) (DATE) |