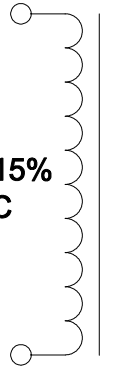


EDB195T1

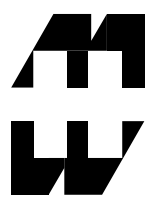
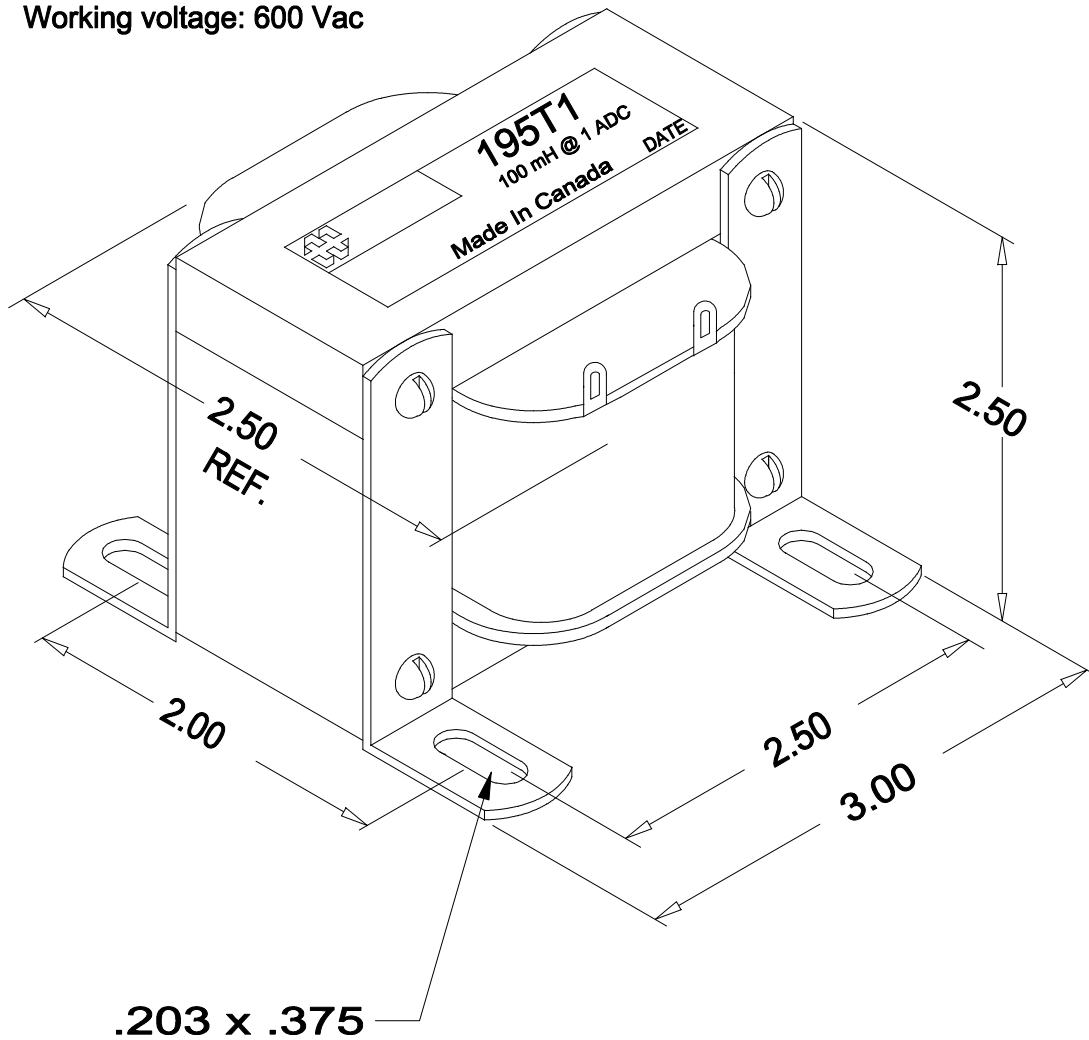
100mH ±15%
@ 1A DC



Resistance: 1.50 ohms

Dielectric strength, Wdg to Core : 2000 Vac

Working voltage: 600 Vac



**HAMMOND
MANUFACTURING™**

WATERLOO TRANSFORMER
GROUP

52 RANKIN PLACE,
WATERLOO, ONTARIO, N2L 3Z5.

PHONE (519) 886-6181
FAX # (519) 886-9540

TITLE

195T1 INDUCTOR

			DR BY D.Hutt
			DATE 14/11/12
NO	DATE	REVISION	DIM IN(X)MM()

EDB195T1