

NOTES:

1. ALL PARTS TO BE BULK PACKED
2. ALL DIMENSIONS ARE REFERENCE EXCEPT THOSE WITH A TOLERANCE
3. DIMENSIONS IN BRACKETS [ ] ARE IN MILLIMETERS

ASS'Y P/N	GROMMET SIZE
W6282-XSG-P-311	CABLE O.D. .09-.14 [2.3 - 3.6]
W6282-XSG-P-315	CABLE O.D. .15-.17 [3.8 - 4.3]
W6282-XSG-P-318	CABLE O.D. .18-.20 [4.6 - 5.1]
W6282-XSG-P-321	CABLE O.D. .21-.23 [5.3 - 5.8]

ASSEMBLY P/N	CONTACTS
W6282-2SG-P-3XX	2 #20
W6282-3SG-P-3XX	3 #20
W6282-4SG-P-3XX	4 #20
W6282-5SG-P-3XX	5 #20
W6282-6SG-P-3XX	6 #20
W6282-7SG-P-3XX	7 #20
W6282-8SG-P-3XX	8 #20
W6282-XSG-P-3XX	

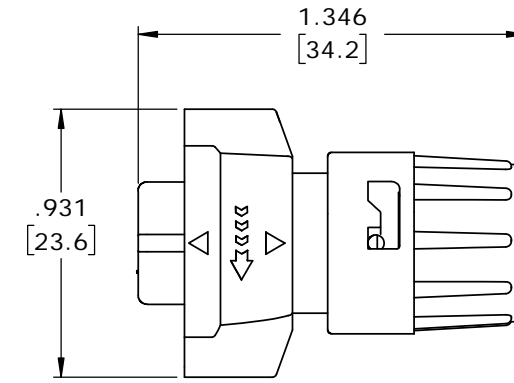
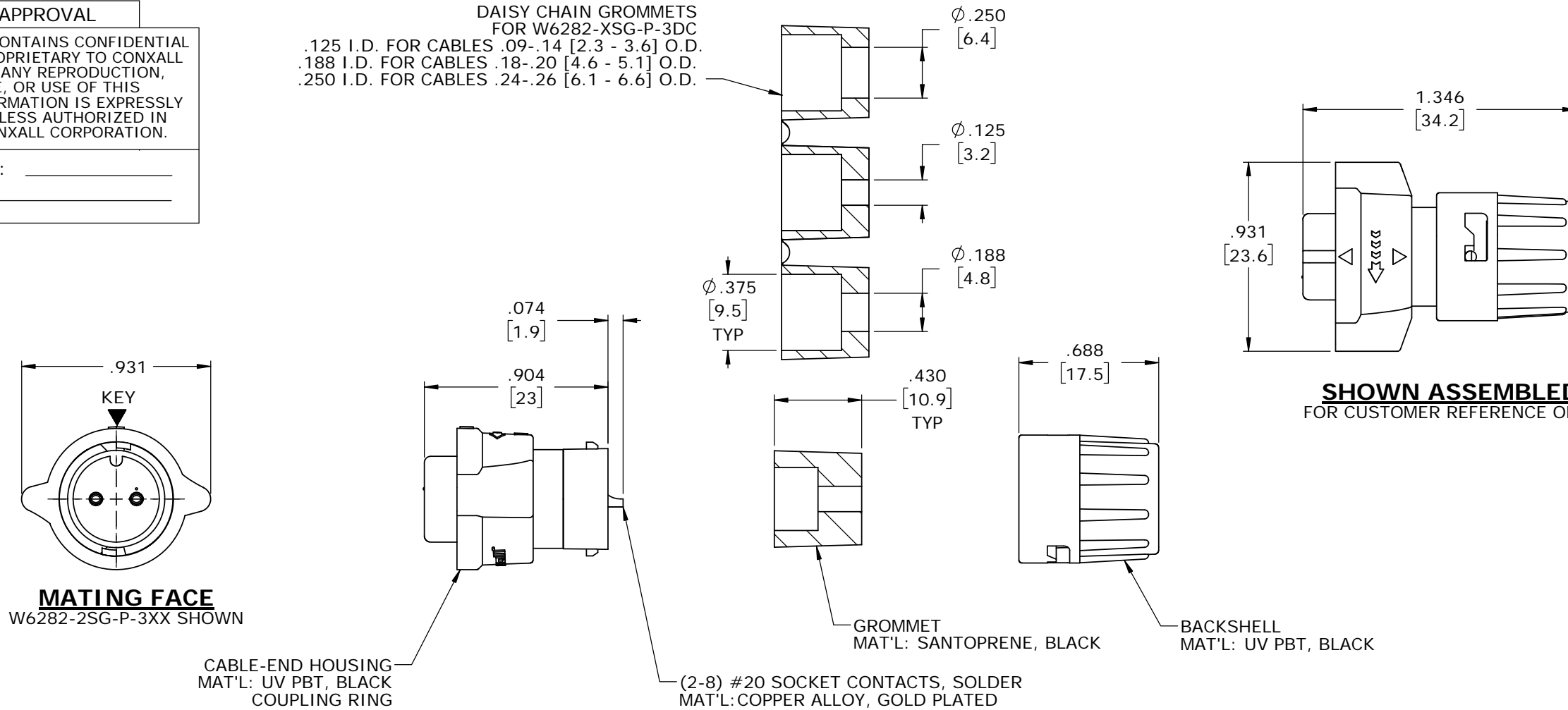
CUSTOMER APPROVAL

THIS DOCUMENT CONTAINS CONFIDENTIAL INFORMATION PROPRIETARY TO CONXALL CORPORATION. ANY REPRODUCTION, DISCLOSURE, OR USE OF THIS DOCUMENT /INFORMATION IS EXPRESSLY PROHIBITED UNLESS AUTHORIZED IN WRITING BY CONXALL CORPORATION.

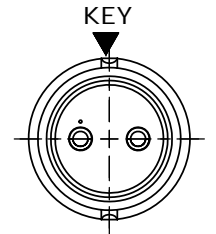
APPROVED BY: \_\_\_\_\_

DATE: \_\_\_\_\_

DAISY CHAIN GROMMETS FOR W6282-XSG-P-3DC  
 .125 I.D. FOR CABLES .09-.14 [2.3 - 3.6] O.D.  
 .188 I.D. FOR CABLES .18-.20 [4.6 - 5.1] O.D.  
 .250 I.D. FOR CABLES .24-.26 [6.1 - 6.6] O.D.



**SHOWN ASSEMBLED**  
FOR CUSTOMER REFERENCE ONLY

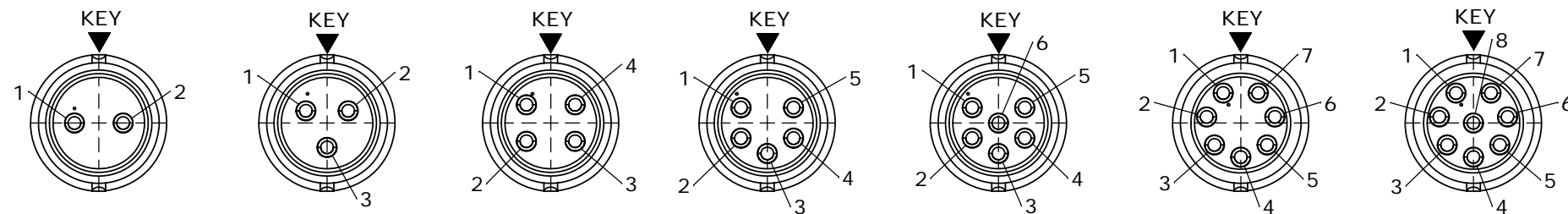


**WIRING END**  
W6282-2SG-P-3XX SHOWN WITHOUT HARDWARE

**MATING FACE**  
W6282-2SG-P-3XX SHOWN

CABLE-END HOUSING  
MAT'L: UV PBT, BLACK  
 COUPLING RING  
MAT'L: UV PBT, BLACK  
 O-RING  
MAT'L: SILICONE, RED  
 SPRING  
MAT'L: STAINLESS STEEL

(2-8) #20 SOCKET CONTACTS, SOLDER  
MAT'L: COPPER ALLOY, GOLD PLATED



**WIRING END** W6282-2SG-P-3XX    **WIRING END** W6282-3SG-P-3XX    **WIRING END** W6282-4SG-P-3XX    **WIRING END** W6282-5SG-P-3XX    **WIRING END** W6282-6SG-P-3XX    **WIRING END** W6282-7SG-P-3XX    **WIRING END** W6282-8SG-P-3XX

**RoHS COMPLIANT**

A	MA	03-02-20	RELEASED PER PDR 16014-7
	PNK	11-25-19	BACKSHELL P/N 6284 CHANGES TO 6284V4
	PNK	05-10-19	PDR 16014
REV.	INIT.	DATE	DESCRIPTION
	PNK	05-10-19	ORIG. DRAWN BY: DATE: 05-10-19
ALL INFORMATION ILLUSTRATED IS THE PROPERTY OF "CONXALL CORPORATION". UNAUTHORIZED DUPLICATION OR DISTRIBUTION OF THIS DOCUMENT IS PROHIBITED.			
ALL UNITS ARE IN FEET, INCHES, FRACTION OF INCHES AND DECIMALS. UNLESS OTHERWISE SPECIFIED TOLERANCES: 3 PLACE DECIMALS ±.010 ANGLES ±1° FRACTIONS ±1/16 - CRITICAL CHARACTERISTIC FLAG PER SPEC. XXXX			
APPROVED BY:		TITLE: CABLE-END ASSEMBLY 2-8 #20 SOCKET CONTACTS, SOLDER INSTA-CLICK™ MINI-CON-X	
SCALE: NTS	SIZE: B	SHEET: 1 OF 1	CUSTOMER: STANDARD PRODUCT
FILE: W6282-XSG-P-3XX	DIRECTORY: SLW	PART NUMBER: W6282-XSG-P-3XX	REV: A

CUSTOMER PRINT

PART NUMBER: W6282-XSG-P-3XX

# Mouser Electronics

Authorized Distributor

Click to View Pricing, Inventory, Delivery & Lifecycle Information:

## Switchcraft:

[W6282-6SG-P-3DC](#) [W6282-7SG-P-315](#) [W6282-5SG-P-318](#) [W6282-6SG-P-321](#) [W6282-2SG-P-318](#) [W6282-6SG-P-311](#) [W6282-6SG-P-315](#) [W6282-3SG-P-315](#) [W6282-5SG-P-3DC](#) [W6282-3SG-P-318](#) [W6282-8SG-P-311](#) [W6282-4SG-P-311](#) [W6282-3SG-P-311](#) [W6282-6SG-P-318](#) [W6282-7SG-P-311](#) [W6282-7SG-P-318](#) [W6282-2SG-P-321](#) [W6282-7SG-P-3DC](#) [W6282-2SG-P-3DC](#) [W6282-8SG-P-321](#) [W6282-4SG-P-315](#) [W6282-4SG-P-318](#) [W6282-8SG-P-318](#) [W6282-7SG-P-321](#) [W6282-4SG-P-321](#) [W6282-5SG-P-321](#) [W6282-2SG-P-311](#) [W6282-2SG-P-315](#) [W6282-3SG-P-3DC](#) [W6282-5SG-P-311](#) [W6282-8SG-P-3DC](#) [W6282-3SG-P-321](#) [W6282-8SG-P-315](#) [W6282-4SG-P-3DC](#) [W6282-5SG-P-315](#)