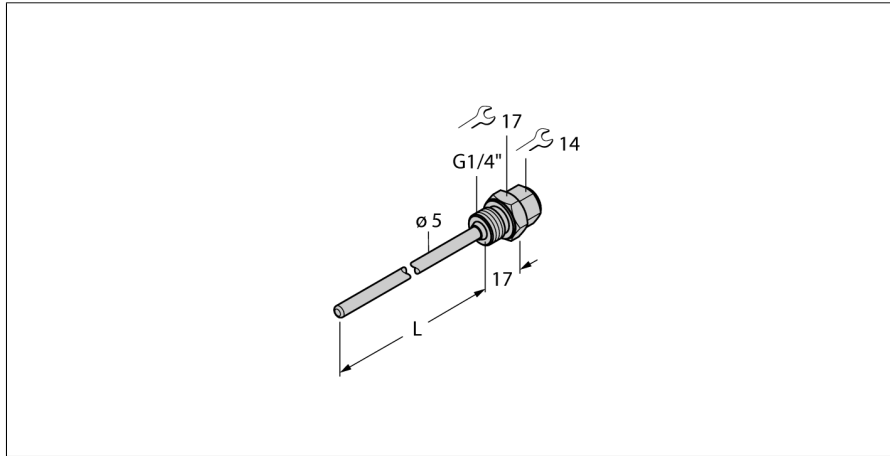


**Accessories**  
**Thermowell**  
**For Temperature Sensors**  
**THW-3-G1/4-A4-L100**



- Thermowell for mounting temperature probes
- End tip diameter 3 mm
- Process connection G1/4" male thread
- Immersion depth 100 mm

**General description**

Thermowells are used for unpressurized mounting of probes. They protect the probes against direct contact with the medium. The probe can be replaced without interrupting the process.

<b>Type designation</b>	THW-3-G1/4-A4-L100
Ident no.	9910419
<b>Type</b>	THW-3-G1/4-A4-L100
Ident. no.	9910419
<b>Temperature range</b>	
Measuring range	-50...350 °C
Temperature operating range	-58...662 °F
Immersion depth (L)	100 mm
<b>Housing</b>	
Housing material	Stainless steel, 1.4404 (AISI 316L)
Internal diameter	3.1 mm
Process connection	G 1/4" male thread
Pressure resistance	400 bar
Max. tightening torque of housing nut	100 Nm