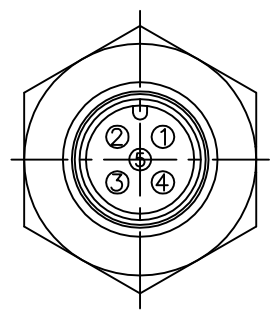
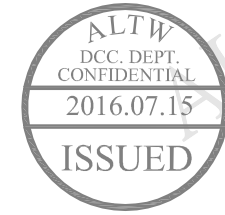
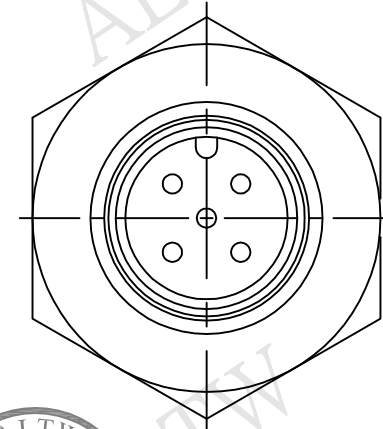
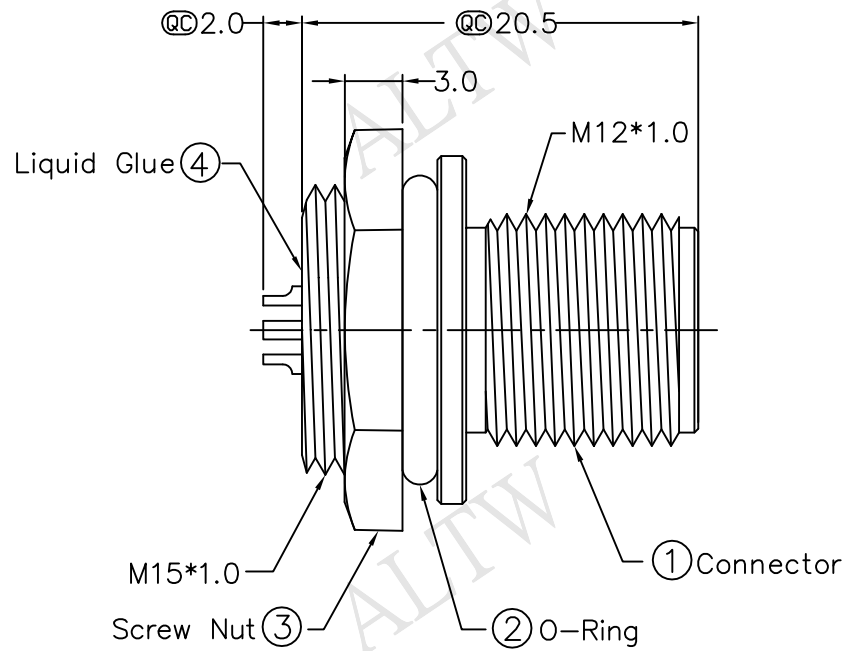
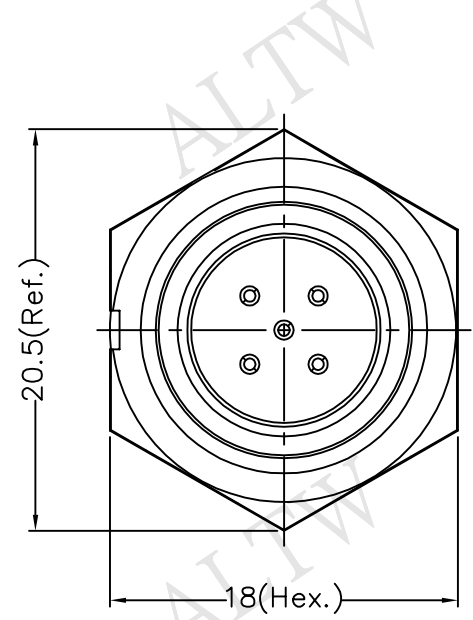
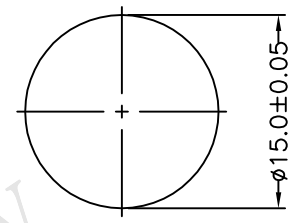


| | | | |
|--------|--------------------|-----------------|---|
| 5 | 6 | 7 | 8 |
| REV. B | ECN NO. LEN1670196 | DATE 2016/07/07 | SIGN Joyy |
| | | | DESCRIPTION Update The Drawing & Add The Note |

THIS DOCUMENT IS SUBJECT TO CHANGE WITHOUT NOTICE. IT IS CONFIDENTIAL AND A PROPERTY OF Amphenol LTW. DISCLOSURE TO THIRD PARTY HAS TO BE AUTHORIZED BY Amphenol LTW.



Pin Assignment
Front View



Recomended
Panel Cut-Out

△ Note:

- * @C Important Dimension To Check.
- * Waterproof Rate: IP67
- * Connector: Nylon+GF, Black
- * Screw Nut: Nylon+GF, Black
- * O-Ring: EPDM, Black
- * Male Pin: Copper Alloy, Gold Plated
- * For Panel Thickness Max 2.2mm

| | | | | | | | |
|---|--------------|---|----------------------|--|------------------------------|----------------------|--------------------|
| UNIT:mm | | TITLE M12 5Pin Male Sensor Connector | Amphenol LTW | | ITEM NO LTWM12P-05PMMS-SC | DRAWN BY Joyy | DATE 2016/07/07 |
| TOLERANCE .X ±0.25 .XX ±0.1 .XXX ±0.05 ANGLES ±1° | SCALE 3:1 | SHEET 1 OF 1 | 安費諾亮泰企業股份有限公司 | | DWG NO LTWM12P-05PMMS-SC | CHECKED BY Ma Fei | DATE 2016/07/07 |
| REV. B | SIZE A4 | @C :Inspection Item | | | CUSTOMER ALTW | APPROVED BY Jerry | DATE 2016/07/07 |