

Cylinder sensor SM..10F

FESTO



Fits perfectly!

A very sensible and clever sensor solution – ideal for Festo's miniature drives.

In a class of its own – the smallest of the SM sensor family available with reed contacts or as contactless variants. The SM..10F fits perfectly in the slot type 10.

Quicker to install

The SM..10F is placed in the slot from above and quickly secured via an Allen key SW 1.5 mm.

Systematically more efficient

Universal use on all Festo cylinders with slot type 10. Also eco-

nomical and versatile thanks to wide-ranging use and very attractive pricing.

Systematically safer owing to additional detent clips on the cable outlet side providing extra cable protection against mechanical damage.



Step 1

Step 2

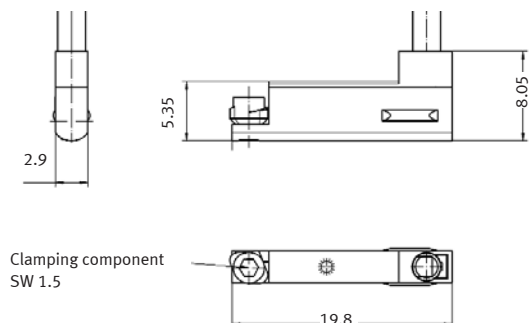
306.3.PSI →

Product Short InfAormation

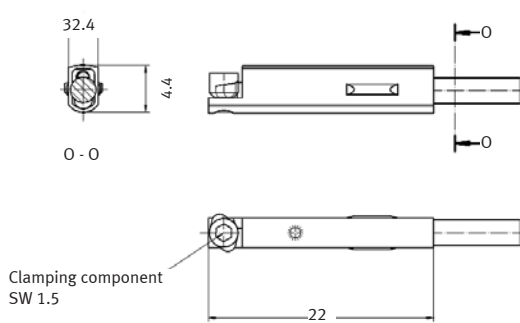
Cylinder sensor SM..10F

Dimensions

Lateral cable outlet



Cable outlet, in-line



Technical data, variants and accessories

Technical data of winners	SMT-10F-PS-24V-...	SME-10F-DS-24V-...
Nominal operating voltage	24 V DC	24 V DC
Operating voltage range	10 ... 30 V DC	10 ... 30 V DC/V AC
Rated operating current	200 mA	500 mA
Contact rating max. DC	6 W	10 W
Switch-on/switch-off times	=0.4 ms/=0.3 ms	=0.5 ms/=0.03 ms
Protection against polarity reversal	Yes	No
Protection against short circuit	Yes	No
Operating temperature range	-20 ... +60 °C	-20 ... +60 °C for permanently installed cables



Contactless sensors	Cable in-line	Cable, angled	Brief description
SMT-10F-PS-24V-K2.5...-OE	X	X	three-wire PNP, normally open contact, cable 2.5 m
SMT-10F-PS-24V-K0.3...-M8D	X	X	three-wire PNP, normally open contact, plug M8
SMT-10F-NS-24V-K2.5...-OE	X	X	three-wire NPN, normally open contact, cable 2.5 m
SMT-10F-NS-24V-K0.3...-M8D	X	X	three-wire NPN, normally open contact, plug M8
Reed switch			
SME-10F-DS-24V-K2.5...-OE	X	X	three-wire, normally open contact, cable 2.5 m
SME-10F-DS-24V-K0.3...-M8D	X	X	three-wire, normally open contact, plug M8
SME-10F-ZS-24V-K2.5...-OE	X	X	two-wire, normally open contact, cable 2.5 m

Accessory cables	Brief description
SIM-M8-3WD-...	M8, three-pin, angled socket
SIM-M8-3GD-...	M8, three-pin, straight socket
SIM-M8-3WD-...-PSL-PU	M8, three-pin, angled socket, LED display, for PS/DS
SIM-M8-3WD-...-NSL-PU	M8, three-pin, angled socket, LED display, for NS

Festo AG & Co. KG

Ruiter Strasse 82
73734 Esslingen
Internet www.festo.com
Tel. ++49 (0)711 347-0
Fax ++49 (0)711 347-2144
E-mail service_international@festo.com

Subject to change

170504