

SPECIFICATIONS

FLUID	: Air or neutral gas, filtered, lubricated or not
DIFFERENTIAL PRESSURE	: 0 to 10 bar
MAX. ALLOWABLE PRESSURE (MAP)	: 16 bar
FLUID TEMPERATURE min.-max.	: -10°C, +60°C
AMBIENT TEMPERATURE min.-max.	: -10°C, +60°C
FLOW (Qv at 6 bar)	: see table below
FITTING SURFACE	: AFNOR NFE 49066 - CNOMO 06.05.80
RESPONSE TIME	: 5 ms



CONSTRUCTION

Body subbase mounted, glass filled polyamide 6/6 (PA + FG)
 Exhaust M5 female, with plug
 Sealing nitrile (NBR)
 Electrical equipment conforms to standard NF C79300
 Coil and iron circuit encapsulated, rotatable x 360°
 Standard connector ISO 4400, rotatable 90° x 90°
with simplified connections for direct front access (see overleaf)
 Manual override : without, screwdriver, impulse, button
 Subbases for instant fittings : glass filled polyamide 6/6 (PA + FG)
 Threaded subbases : die-cast zinc alloy

ELECTRICAL CHARACTERISTICS

Type of coil	Voltages ⁽¹⁾		Consumption		Insulation class	Protection degree	Electrical connection
	~	=	Inrush	Hold			
Size 25	~	24V-48V-115V-230V- 50 Hz	9 VA	4VA (3W)	F	IP 65	Connector ISO 4400 CM 10 (Pg 11P) with simplified connection
	=	12V-24V-48V-115V	3 W				

(1) This solenoid valve is dual-voltage : (24V~, 12V=) (48V~, 24V=) (115V~, 48V=) (230V~, 115V=)

CHOICE OF EQUIPMENT

FUNCTION NC De-energized Normally closed at rest								 1 = Pressure 2 = Outlet 3 = Exhaust	
Orifice Ø (mm)	Flow at 6 bar l/min (ANR)		Coefficient KV		Allowable differential pressure ΔP (bar)		Manual override	CODES (~/=)	
	1→2	2→3	1→2	2→3	min.	max.		Solenoid valve with standard connector	Solenoid valve with coil without connector
1,6	70	84	1	1,2	0	10	× ● ▼ ■	19000005 19000006 19000017 19000008	19000013 19000014 19000018 19000016

Type of manual override : X : without ● : screwdriver ▼ : impulse ■ : button



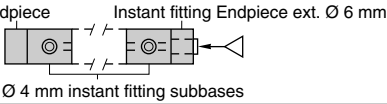
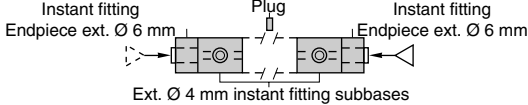
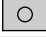

SUBBASES (see overleaf)

OPTIONS

- Other voltages or 60 Hz frequency on request
- Solenoid head for dusty explosive atmospheres, zone 22 (see P597)
- Low consumption coil (24V =, 1,5W - consult us)
- Conformity to standard "UL" (consult us)
- Connector with cable outlet, 2 m long : **88122612**
- Connector with transil protection (see P515-4)
- Solenoid valve with connector and built-in visual indicator and protection

CODE Solenoid valve without connector (see above)	+				CODES Connector with built-in visual indicator and RC protection			
	24V (~/=)	48V (~/=)	115V (~/=)	230V (~/=)	24V (~/=)	48V (~/=)	115V (~/=)	230V (~/=)
	88122603	88122604	88122605	88122608	88122603	88122604	88122605	88122608

SUBBASES

Connection	Type	Composition	CODES
With instant fittings (Polyamide 6/6 subbases)	1 single subbase		35300069
	1 joinable subbase		35300070
	Set of 2 joinable end subbases, right-hand pressure intake, ext. Ø 6 mm instant fitting.	 <p>Plugged endpiece Instant fitting Endpiece ext. Ø 6 mm Ext., Ø 4 mm instant fitting subbases</p>	35300071
	Set of 2 joinable, end subbases, right-hand and/or left-hand, pressure intake ext. Ø 6 mm instant fittings.	 <p>Instant fitting Plug Instant fitting Endpiece ext. Ø 6 mm Endpiece ext. Ø 6 mm Ext. Ø 4 mm instant fitting subbases</p>	35300072 (1)
G 1/8 threads (Zamac subbases)	1 laterally-connected single subbase		35300047
	1 laterally-connected joinable subbase		35300048

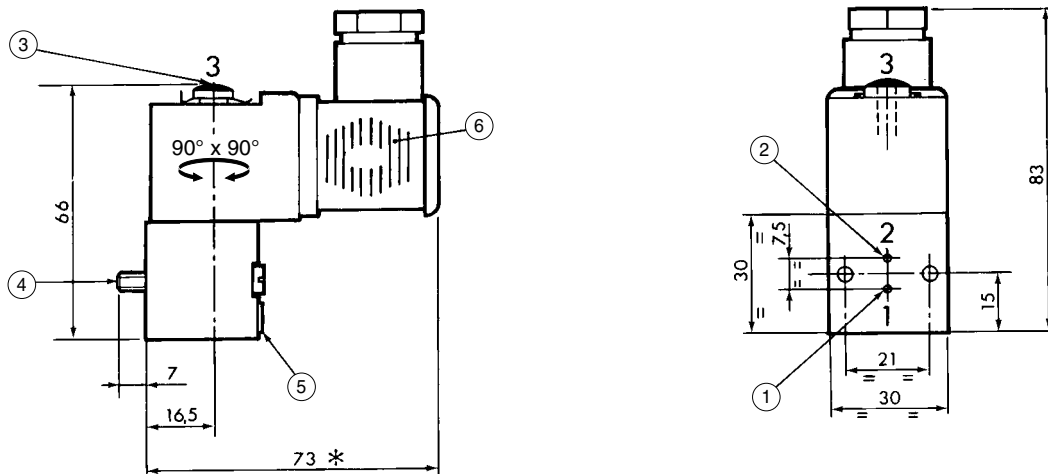
(1) Equipment can be used for 2 different pressure intakes.

These subbases can be mounted directly on symmetrical EN 50022 rail using 2 or more clips (clips sold in packets of 10, code **33400036**)

DIMENSIONS AND WEIGHTS

SINGLE MOUNTABLE SOLENOID VALVE

Weight : 0.180 kg

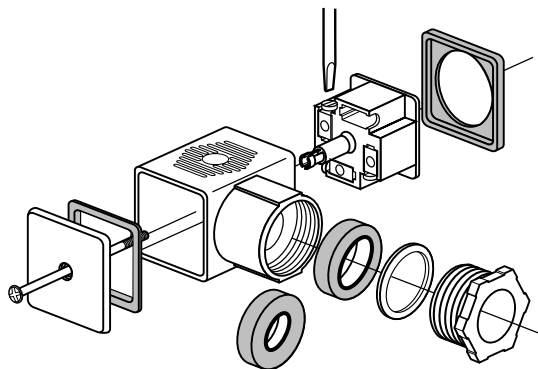


CONNECTION TO SIZE 30 CONNECTOR

Easier and faster electrical connection.

Connector delivered with 2 sealing rings for cable Ø 8 - 10 mm or cable Ø 6 - 8 mm.

Removable upper lid for checking the voltage **without interrupting the operation** of the solenoid valve.



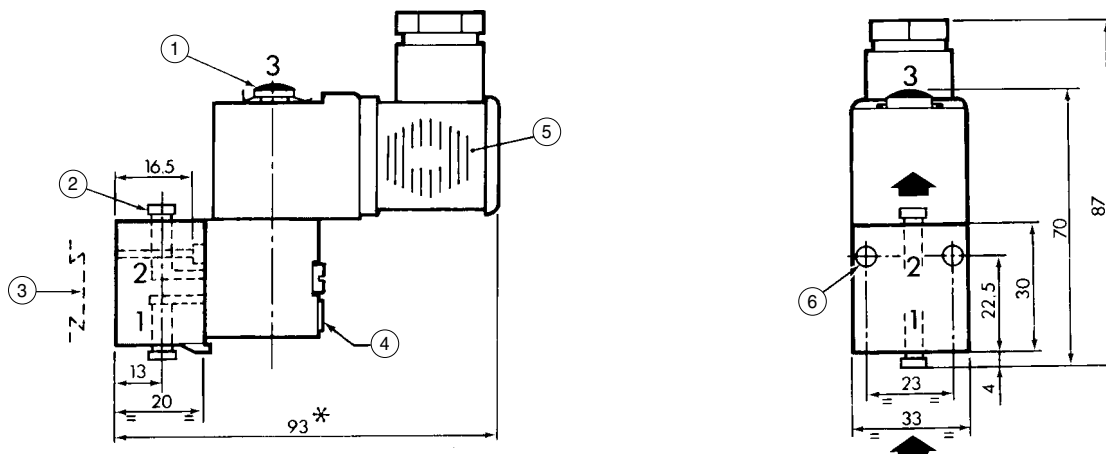
- ① Port 1
 - ② Port 2
 - ③ Connectable port 3, Ø M5 depth : 5.5
 - ④ Secured by two screws CM 4 x 33,5
 - ⑤ Manual override
 - ⑥ Connector rotatable through 90° CM10 (Pg 11P)
- (*) + 15 mm for connector clearance.

DIMENSIONS AND WEIGHTS

SOLENOID VALVE MOUNTED ON SINGLE INSTANT FITTING SUBBASE

Subbase : code **35300069**

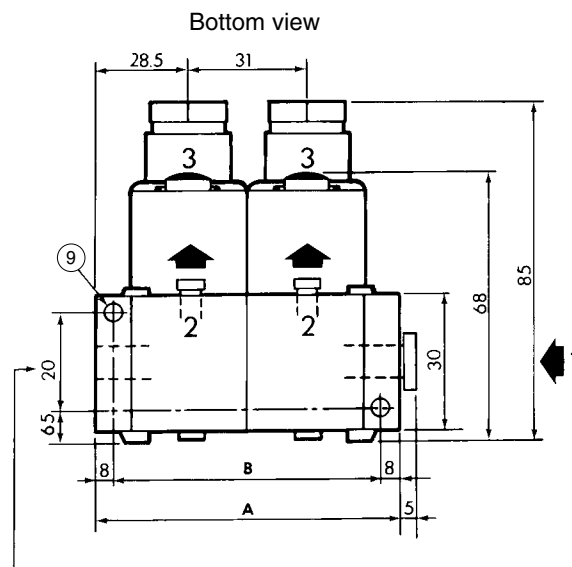
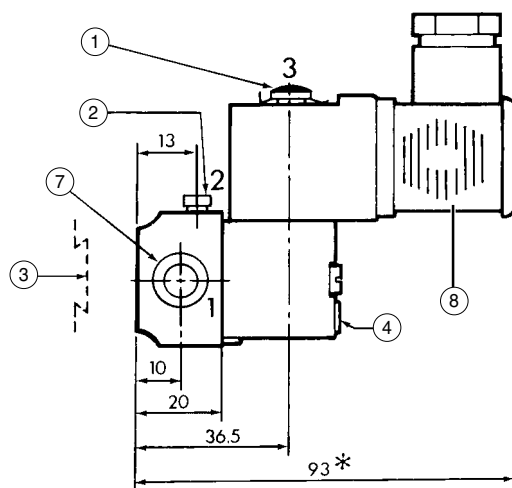
Weight : 0.195 kg



SOLENOID VALVE MOUNTED ON JOINABLE INSTANT FITTING

Subbase : code **35300070**

Subbase with endpieces : code **35300071**

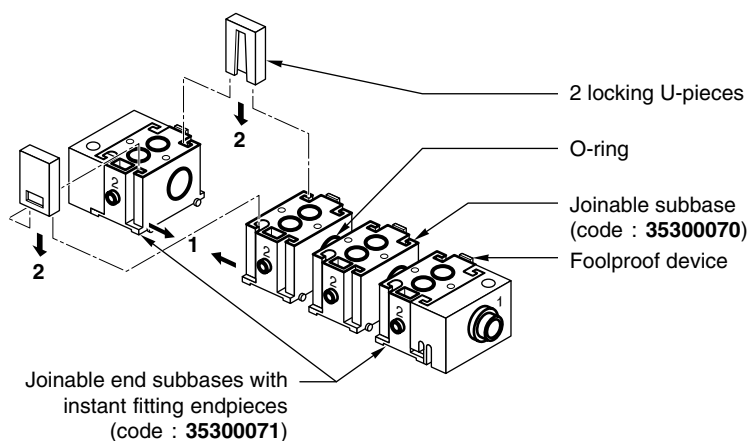


DIMENSION	Number of subbases						
	2	3	4	5	6	7	8
A	88	119	150	181	212	243	274
B	72	103	134	165	196	227	258
Weight (kg) SV + S. bases	0,415	0,610	0,805	1,000	1,195	1,390	1,585

Left-hand pressure intake or 2 different pressure intakes by procuring set of 2 end subbases with endpieces code : **35300072**

When mounted on DIN rail, it is recommended to use 1 securing clip on the end subbases as well as on the central subbase.

ASSEMBLY



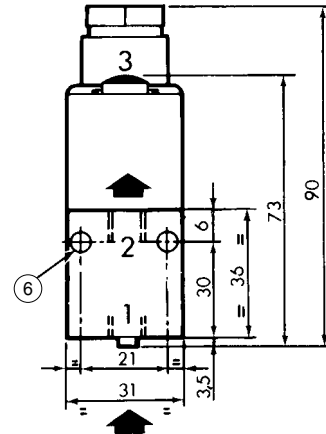
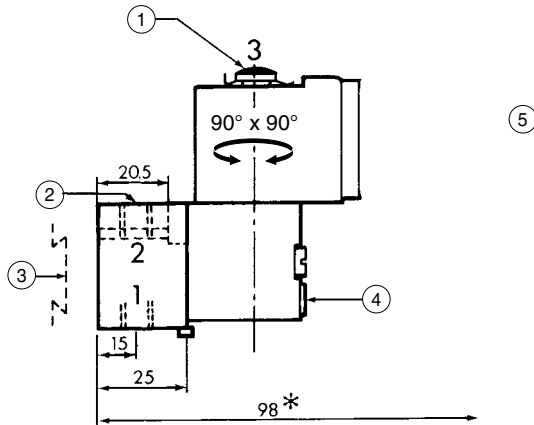
- ① Connectable port 3 Ø M5 depth : 5.5
- ② Instant fitting connection for 4 mm OD tube
- ③ Adaptable clips
- ④ Manual override
- ⑤ Connector rotatable through 90° CM10 (Pg 11P)
- ⑥ 2 Ø 3.5 securing holes Ø 6.5 counterbores depth : Ø 3.5
- ⑦ Instant fitting connection for Ø 6 mm OD tube
- ⑧ Connector rotatable x 180° CM10 (Pg 11P)
- ⑨ 2 securing holes Ø 4.5
- (*) + 15 mm for connector clearance

DIMENSIONS AND WEIGHTS

SOLENOID VALVE MOUNTED ON SINGLE SUBBASE

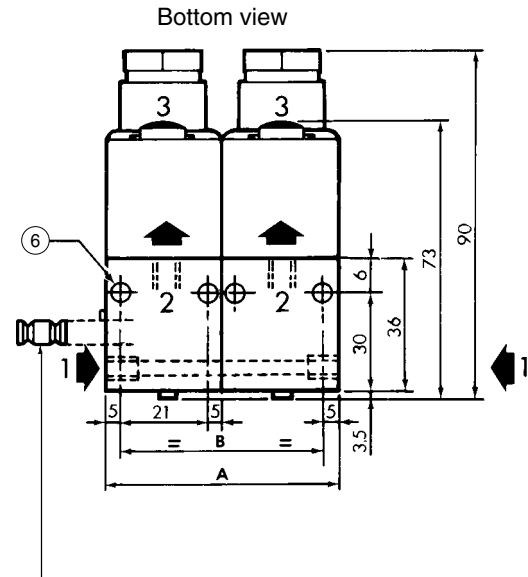
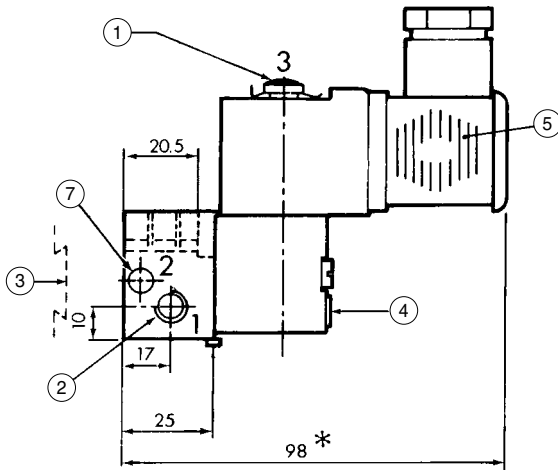
Subbase : code **35300047**

Weight : 0.245 kg



SOLENOID VALVE MOUNTED ON JOINABLE SUBBASE

Subbase : code **35300048**



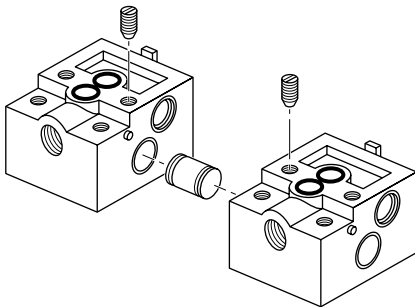
Joining unit for putting subbases together, locked by sunken set screw

DIMENSION	Number of subbases							
	2	3	4	5	6	7	8	
A	62	93	124	155	186	217	248	
B	52	83	114	145	176	207	238	
Weight (kg) SV + S. bases	0,490	0,735	0,980	1,225	1,470	1,715	1,960	

Subbase delivered with seals, screws and joining unit for complete assembly

ASSEMBLY

Joinable subbases assembled with joining unit locked by sunken set screw



When mounted on DIN rail, it is recommended to use 1 securing clip on the end subbases as well as on the central subbase

- ① Connectable port 3 Ø M5 depth : 5.5
- ② 3 G 1/8 ports
- ③ Adaptable clips
- ④ Manual override
- ⑤ Connector rotatable through 90° CM10 (Pg 11P)
- ⑥ 2 securing holes Ø 4.5
- ⑦ Subbases assembly port
- (*) + 15 mm for connector clearance