

THE INFORMATION CONTAINED HEREIN IS CONSIDERED "PROPRIETARY" TO BEL FUSE INC. AND SHALL NOT BE COPIED, REPRODUCED OR DISCLOSED WITHOUT THE WRITTEN APPROVAL OF BEL FUSE INC.



LED 1 POLARITY		LED 2 POLARITY	
PIN 17	PIN 18	PIN 19	PIN 20
-	+	+	-
	YELLOW		ORANGE
			GREEN

ELECTRICAL CHARACTERISTICS @ 25°C

TURNS RATIO

1CT : 1CT ±2%
1CT : 1CT ±2%

DCL @ 100kHz/100mVRMS

FDR CHANNEL 1 AND CHANNEL 2

11mA DC BIAS 350µH MIN.

Compliant to IEEE 802.3at specification

INS. LOSS

0.1MHZ TO 1MHZ

1MHZ TO 65MHZ

65MHZ TO 100MHZ

-1.1 dB MAX

-0.8 dB MAX

-1.2 dB MAX

RET. LOSS (MIN)

0.5MHZ-40MHZ

40MHZ-100MHZ

-18 dB

-12+20LOG(f/80MHZ) dB

CM TO CM REJ

100KHz - 100MHZ

-30 dB MIN

CM TO DM REJ

100KHz - 100MHZ

-35 dB MIN

HIPOT (Isolation Voltage): 2250 VDC

100% OF PRODUCTION TESTED TO COMPLY WITH

IEEE 802.3 ISOLATION REQUIREMENTS.

BALANCED DC LINE CURRENT 720 mA MAX. @ 57 VDC CONTINUOUS

1.2 A MAX. @ 57 VDC FOR 200 MILLISECONDS

LED 1

VF (FORWARD VOLTAGE)

IF=20mA YELLOW 2.1V TYP.

AD (DOMINANT WAVELENGTH) IF=20mA YELLOW 590nm TYP.

LED 2

VF (FORWARD VOLTAGE)

IF=20mA GREEN 2.2V TYP.

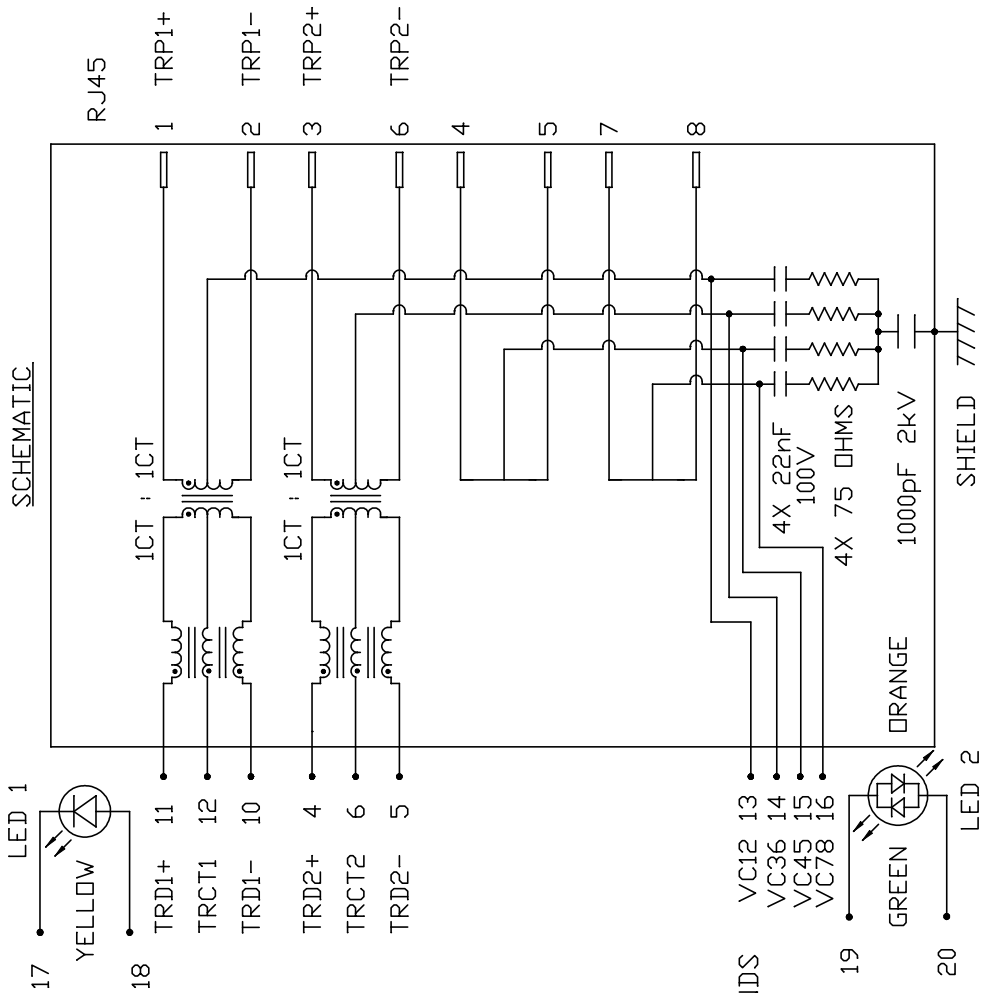
AD (DOMINANT WAVELENGTH) IF=20mA GREEN 570nm TYP.

ORANGE 2.0V TYP.

ORANGE 610nm TYP.

OPERATING TEMPERATURE: -40°C TO 85°C

SCHEMATIC

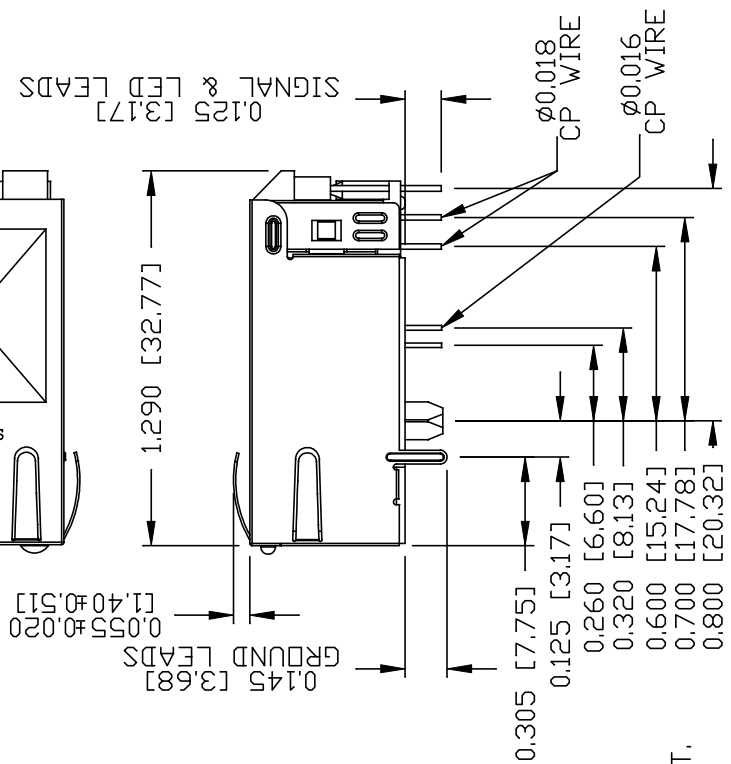


ORIGINATED BY CHOW WANCHUNG DATE 2016-08-11 DRAWN BY SKY YOU DATE 2016-08-11	TITLE 10/100 MagJack® (PoE, Extended Temperature) 0826-1X1T-GJ-F PATENTED	PART NO. / DRAWING NO. 08261X1TGJ-F	STANDARD DIM. TOL. IN INCH .X UNIT : INCH [mm] SCALE : N/A SIZE : A4	REV. : D PAGE : 2
		FILE NAME 08261X1TGJ-F_D.DWG	[] METRIC DIM. AS REF.	 a bel group

This document is electronically generated. This is a controlled copy if used internally

MECHANICAL SPECIFICATION

THE INFORMATION CONTAINED HEREIN IS CONSIDERED "PROPRIETARY" TO BEL FUSE INC. AND SHALL NOT BE COPIED, REPRODUCED OR DISCLOSED WITHOUT THE WRITTEN APPROVAL OF BEL FUSE INC.

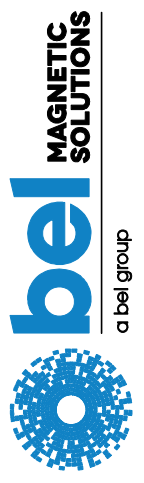


NOTES:

- 1. MARK PART WITH MFG LOGO, MFG NAME, PART NUMBER, DATE CODE AND PATENTED.
- 2. THE PRODUCT IS ROHS COMPLIANT.
- 3. JACK CAVITY CONFORMS TO FCC RULES AND REGULATIONS.
- 4. THE PRODUCT IS PATENTED. THE PATENT NUMBER IS U.S. PAT. 7,123,117.
- 5. THE PART IS RECOMMENDED FOR WAVE SOLDERING. THE SUGGESTED PEAK WAVE SOLDERING CONDITION IS 260°C MAX AND 10 SECONDS MAX.

AIus UL RECOGNIZED - FILE #E196366 AND E169987.

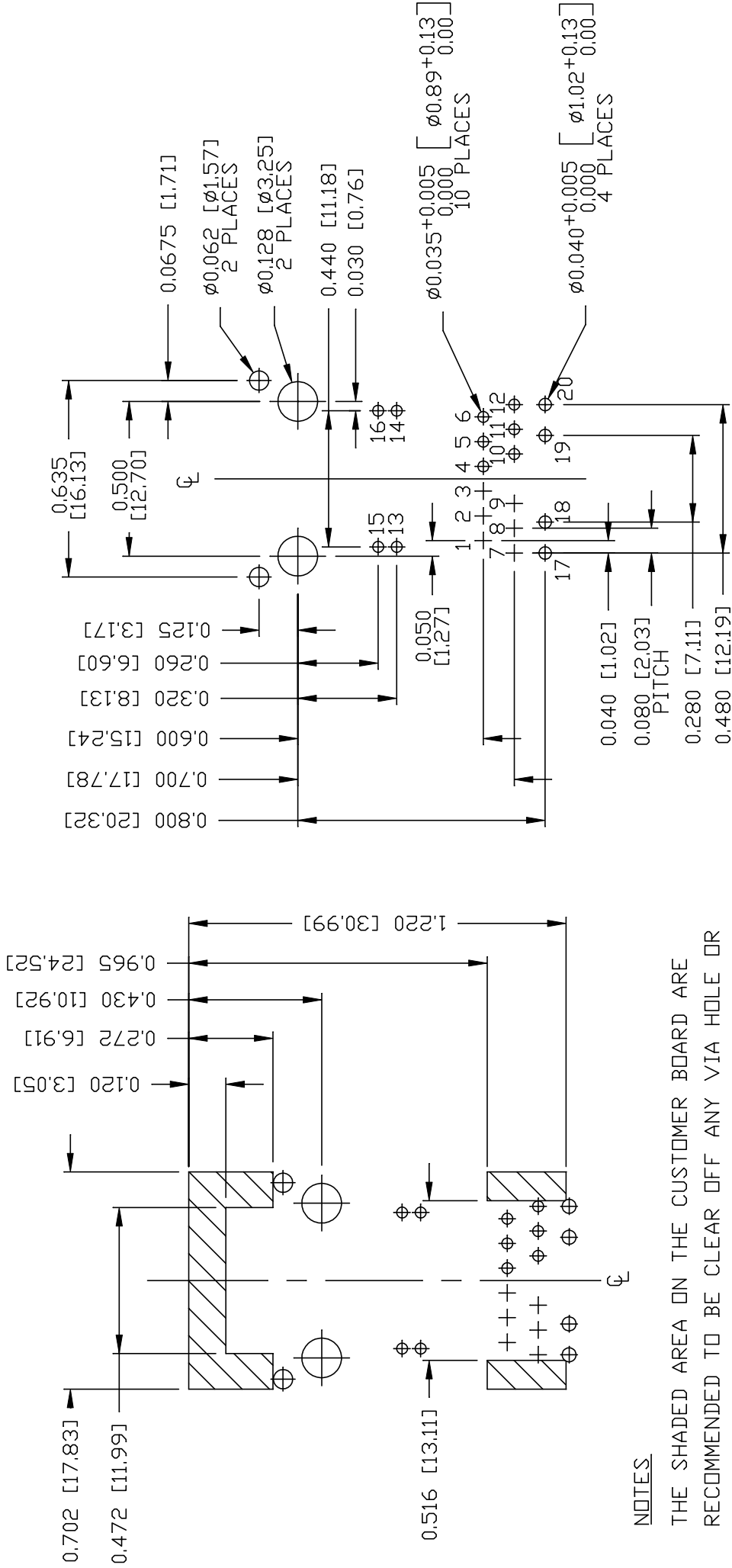
<p>REV. : D PAGE : 3</p>	
<p>STANDARD DIM. [] METRIC DIM. AS REF.</p>	
<p>TOL. IN INCH UNIT : INCH [mm]</p>	
<p>.X SCALE : N/A</p>	
<p>.XX SIZE : A4</p>	
<p>.XXX</p>	
<p>PART NO. / DRAWING NO. 08261X1TGJ-F</p>	<p>FILE NAME 08261X1TGJ-F_D.DWG</p>
<p>TITLE 10/100 MaGJack® (PoEp, Extended Temperature)</p>	<p>0826-1X1T-GJ-F PATENTED</p>
<p>ORIGINATED BY ANTON LIAD DATE 2016-08-11</p>	<p>DRAWN BY JESSE LI DATE 2016-08-11</p>



THE INFORMATION CONTAINED HEREIN IS CONSIDERED "PROPRIETARY" TO BEL FUSE INC. AND SHALL NOT BE COPIED, REPRODUCED OR DISCLOSED WITHOUT THE WRITTEN APPROVAL OF BEL FUSE INC.



RECOMMENDED PCB FOOTPRINT
COMPONENT SIDE VIEW



NOTES

THE SHADED AREA ON THE CUSTOMER BOARD ARE RECOMMENDED TO BE CLEAR OFF ANY VIA HOLE OR COMPONENT PAD.

REV. : D		PAGE : 4	
PART NO. / DRAWING NO. 08261X1TGJ-F		STANDARD DIM. [] METRIC DIM. AS REF.	
FILE NAME 08261X1TGJ-F_D.DWG		UNIT : INCH [mm]	
TITLE 10/100 MagJack® (PoEp, Extended Temperature) 0826-1X1T-GJ-F PATENTED		SCALE : N/A	
ORIGINATED BY ANTON LIAD		SIZE : A4	
DATE 2016-08-11			
DRAWN BY JESSE LI			
DATE 2016-08-11			

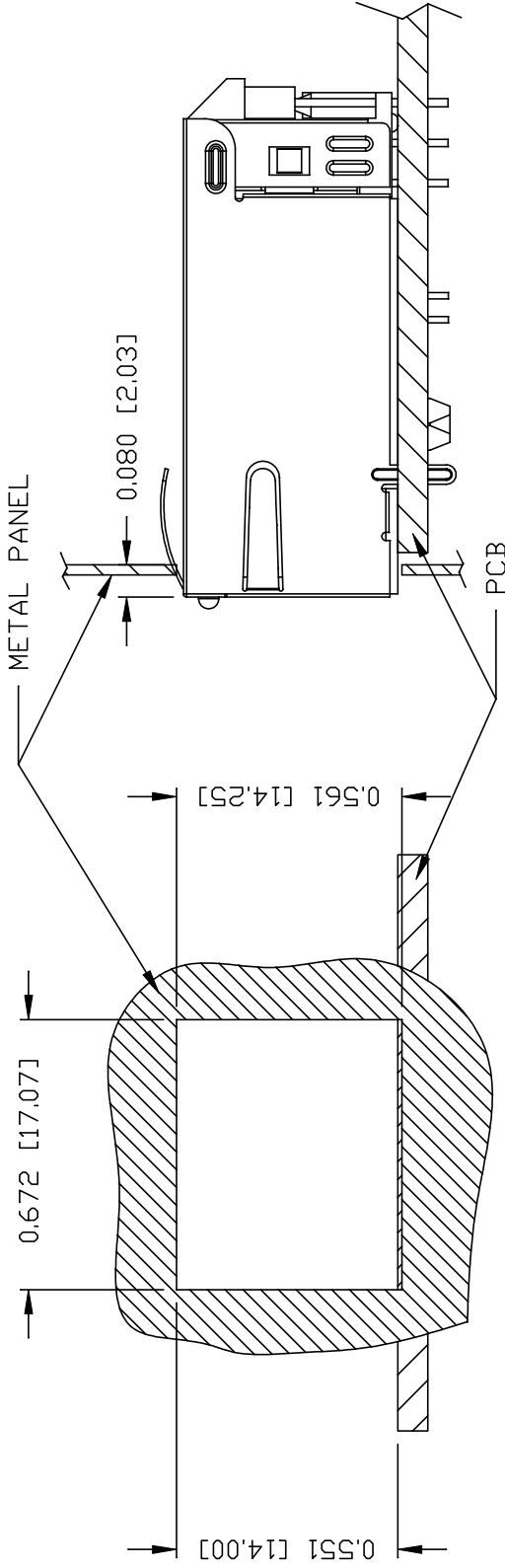
This document is electronically generated. This is a controlled copy if used internally



THE INFORMATION CONTAINED HEREIN IS CONSIDERED "PROPRIETARY" TO BEL FUSE INC. AND SHALL NOT BE COPIED, REPRODUCED OR DISCLOSED WITHOUT THE WRITTEN APPROVAL OF BEL FUSE INC.



SUGGESTED PANEL OPENING



NOTE:

THE DISTANCE OF PANEL INSIDE SURFACE RELATIVE TO FRONT SURFACE OF PART IS ONLY A SUGGESTION. IN CASE THIS DISTANCE IS DIFFERENT, THE REQUIRED PANEL OPENING DIMENSIONS CHANGE ACCORDINGLY.

PACKING INFORMATION

PACKING TRAY : 0200-9999-F6 (TOP)

0200-9999-F7 (BOTTOM)

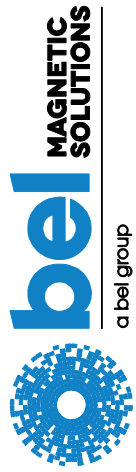
PACKING QUANTITY : 40 PCS FINISHED GOODS PER TRAY

10 TRAYS (400 PCS FINISHED GOODS) PER CARTON BOX

NOTE : CARDBOARDS ARE PLACED BETWEEN LAYERS OF PACKING TRAY INSIDE CARTON BOX

(INCLUDE THE UPPERMOST AND LOWERMOST TRAY)

ORIGINATED BY ANTON LIAD	TITLE 10/100 MagJack® (PoEp, Extended Temperature)	STANDARD DIM. TOL. IN INCH	PART NO. / DRAWING NO. 08261X1TGJ-F	[] METRIC DIM. AS REF.	REV. : D	PAGE : 5
DATE 2016-08-11		.X	FILE NAME 08261X1TGJ-F_D.DWG	UNIT : INCH [mm]		
DRAWN BY JESSE LI		.XX		SCALE : N/A		
DATE 2016-08-11		.XXX		SIZE : A4		



This document is electronically generated. This is a controlled copy if used internally