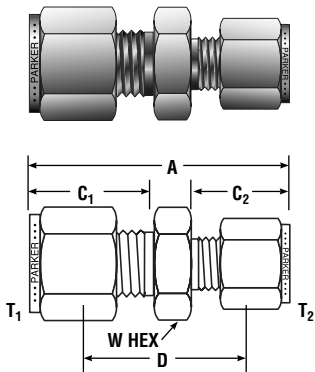


Tube to Tube Unions

RU Reducing Union For fractional tube

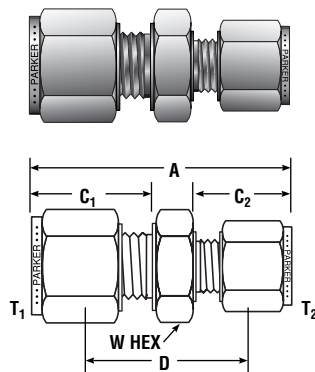


PARKER PART NO.	INTER-CHANGES WITH	INCHES						
		T ₁ TUBE O.D.	T ₂ TUBE O.D.	A	D	C ₁	C ₂	W HEX
2RU1	200-6-1	1/8	1/16	1.21	.81	.60	.43	7/16
3RU1	300-6-1	3/16	1/16	1.27	.86	.64	.43	7/16
3RU2	300-6-2	3/16	1/8	1.44	.92	.64	.60	7/16
4RU1	400-6-1	1/4	1/16	1.38	.91	.70	.43	1/2
4RU2	400-6-2	1/4	1/8	1.52	.97	.70	.60	1/2
4RU3	400-6-3	1/4	3/16	1.55	1.00	.70	.64	1/2
5RU2	500-6-2	5/16	1/8	1.58	1.03	.73	.60	9/16
5RU4	500-6-4	5/16	1/4	1.67	1.08	.73	.70	9/16
6RU1	600-6-1	3/8	1/16	1.44	1.00	.76	.43	5/8
6RU2	600-6-2	3/8	1/8	1.61	1.06	.76	.60	5/8
6RU4	600-6-4	3/8	1/4	1.71	1.13	.76	.70	5/8
6RU5	600-6-5	3/8	5/16	1.75	1.16	.76	.73	5/8
8RU2	810-6-2	1/2	1/8	1.75	1.09	.87	.60	13/16
8RU4	810-6-4	1/2	1/4	1.85	1.16	.87	.70	13/16
8RU6	810-6-6	1/2	3/8	1.91	1.22	.87	.76	13/16
10RU6	1010-6-6	5/8	3/8	1.94	1.25	.87	.76	15/16
10RU8	1010-6-8	5/8	1/2	2.05	1.25	.87	.87	15/16
12RU4	1210-6-4	3/4	1/4	1.95	1.25	.87	.76	1-1/16
12RU6	1210-6-6	3/4	3/8	2.00	1.31	.87	.76	1-1/16
12RU8	1210-6-8	3/4	1/2	2.11	1.31	.87	.87	1-1/16
12RU10	1210-6-10	3/4	5/8	2.11	1.31	.87	.87	1-1/16
16RU8	1610-6-8	1	1/2	2.39	1.50	1.05	.87	1-3/8
16RU12	1610-6-12	1	3/4	2.39	1.50	1.05	.87	1-3/8

NOTE: A, C₁ and C₂ dimensions are typical finger-tight.

Dimensions for reference only, subject to change.

RUM Reducing Union For metric tube



PARKER PART NO.	INTER-CHANGES WITH	MILLIMETERS						
		T ₁ TUBE O.D.	T ₂ TUBE O.D.	A	C ₁	C ₂	D	W HEX
M3RUM2	3MO-6-2M	3	2	35,8	15,3	15,3	22,6	12,0
M6RUM2	6MO-6-2M	6	2	38,7	17,7	15,3	24,6	14,0
M6RUM3	6MO-6-3M	6	3	38,7	17,7	15,3	24,6	14,0
M6RUM4	6MO-6-4M	6	4	39,5	17,7	16,1	25,4	14,0
M8RUM6	8MO-6-6M	8	6	42,4	18,6	17,7	27,4	15,0
M10RUM6	10MO-6-6M	10	6	44,5	19,5	17,7	29,4	18,0
M10RUM8	10MO-6-8M	10	8	44,5	19,5	18,6	29,4	18,0
M12RUM6	12MO-6-6M	12	6	47,0	22,0	17,7	29,4	22,0
M12RUM8	12MO-6-8M	12	8	47,8	22,0	18,6	30,2	22,0
M12RUM10	12MO-6-10M	12	10	48,7	22,0	19,5	31,0	22,0
M16RUM10	16MO-6-10M	16	10	49,5	22,0	19,5	31,8	24,0
M16RUM12	16MO-6-12M	16	12	52,0	22,0	22,0	31,8	24,0
M18RUM12	18MO-6-12M	18	12	53,5	22,0	22,0	33,3	27,0
M25RUM18	25MO-6-18M	25	18	60,5	26,5	22,0	38,1	35,0
M25RUM20	25MO-6-20M	25	20	62,3	26,5	22,0	39,9	35,0

NOTE: A, C₁ and C₂ dimensions are typical finger-tight.

Dimensions for reference only, subject to change.