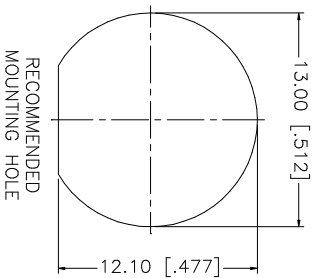
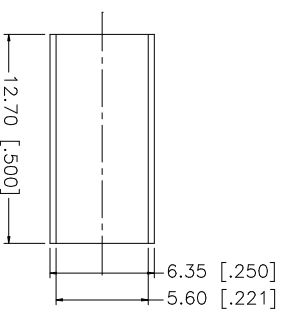
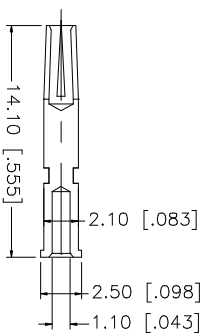
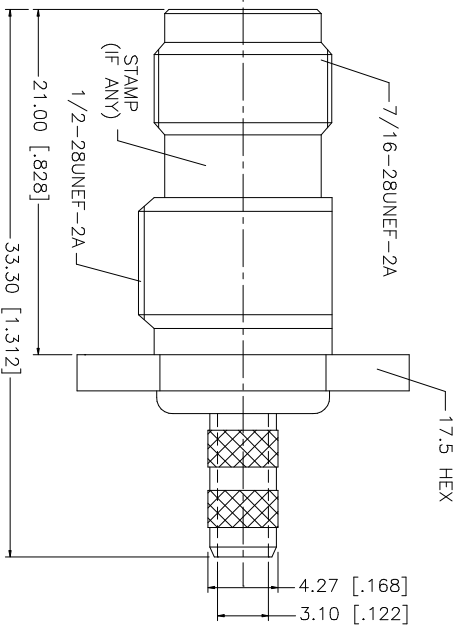
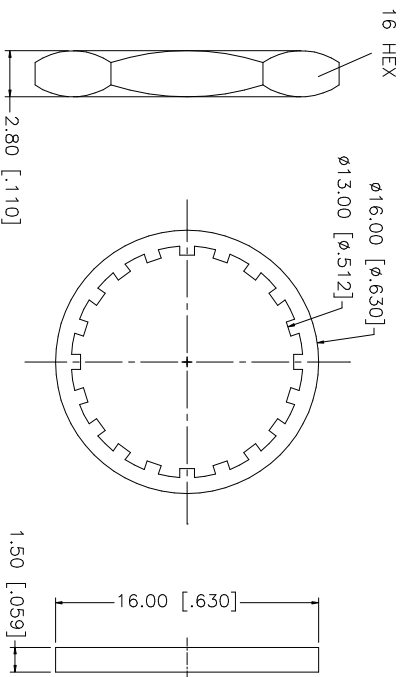
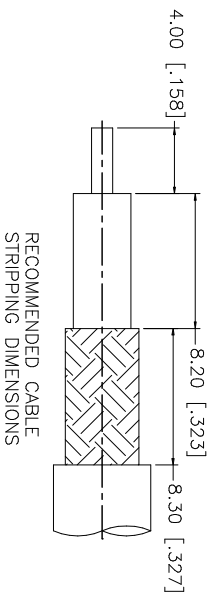


| REV. | DATE | DESCRIPTION |
|------|----------|------------------------------------|
| NC | 01/21/03 | INITIAL RELEASE |
| A | 10/10/05 | ADD NOTE: Δ |
| B | 10/31/05 | CHANGE GASKET MATERIAL TO SILICONE |



- NOTE:
1. CRIMPED FERRULE HEX CRIMP SIZE .213"
 2. CRIMPED CONTACT PIN HEX CRIMP SIZE .068"
 3. MAX. PANEL THICKNESS = 6.5mm
- Δ UL APPROVED.

| QTY | FINISH | MATERIAL | DESCRIPTION |
|-----|--------|--------------|----------------|
| 1 | NICKEL | BRASS | INSULATOR BODY |
| 1 | NICKEL | TEFLON | INSULATOR BODY |
| 1 | NICKEL | BRASS | CONTACT PIN |
| 1 | NICKEL | PHOS. BRONZE | CONTACT PIN |
| 1 | NICKEL | SILICONE | GASKET |
| 1 | NICKEL | BRASS | LOCK WASHER |
| 1 | NICKEL | BRASS | HEX NUT |
| 1 | NICKEL | COPPER | FERRULE |

| APPROVALS | DATE |
|-----------|----------|
| G.R.S. | 10/31/05 |

| UNLESS OTHERWISE SPECIFIED DIMENSIONS ARE IN MILLIMETERS. DIMENSIONS IN [] ARE IN INCHES AND FOR CUSTOMER REFERENCE ONLY. |
|--|
| UNLESS OTHERWISE SPECIFIED TOLERANCES FOR MILLIMETERS ARE: 0.5 - 8mm ± 0.20mm 8 - 30mm ± 0.40mm 30 - 120mm ± 0.50mm |
| UNLESS OTHERWISE SPECIFIED TOLERANCES FOR INCHES ARE: .020 - .315 = ± 0.007" .315 - 1.180 = ± 0.015" 1.180 - 4.724 = ± 0.020" |

| DO NOT SCALE DRAWING |
|----------------------------|
| CAD FILE C:/122/122479.DWG |

| PART NO. | DWG. NO. | REV. | SIZE | SCALE |
|----------|------------|------|------|-------|
| 122479 | 122479.DWG | B | A | NA |

Amphenol Connex

PART DESCRIPTION
TNC BULKHEAD CRIMP JACK
(FOR RG-142A/U, 223/U, 400/U CABLE)

Mouser Electronics

Authorized Distributor

Click to View Pricing, Inventory, Delivery & Lifecycle Information:

[Amphenol:](#)

[122479](#)