



Product Features:

- 10/100BASE-T Ethernet RJ45
- IEEE802.3u Compliant
- 350uH min OCL at 8mA DC Bias Across the Full Temp Range
- 30µ" Gold Plating (min) on Contacts
- 100% Compliance Testing
- 1500Vrms Hi-Pot

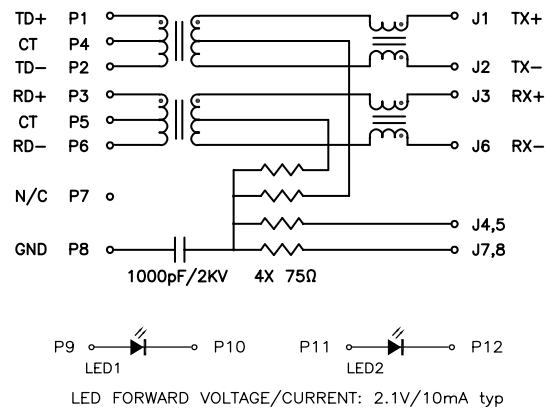
Part Number		Circuit	LED's (L/R)	Return Loss (min)				Insertion Loss (max)
Standard Temp (0 to 70°C)	Extended Temp (-40 to +85°C)			1-30MHz	40MHz	50MHz	60-80MHz	
HFJV1-2450RL	HFJV1-E2450RL	A	None	-18dB	-15.5dB	-13.6dB	-12dB	-1.1dB
HFJV1-2450-L11RL	HFJV1-E2450-L11RL	A	G/G	-18dB	-15.5dB	-13.6dB	-12dB	-1.1dB
HFJV1-2450-L12RL	HFJV1-E2450-L12RL	A	G/Y	-18dB	-15.5dB	-13.6dB	-12dB	-1.1dB
HFJV1-2450-L15RL	HFJV1-E2450-L15RL	A	G/G(Y)	-18dB	-15.5dB	-13.6dB	-12dB	-1.1dB
HFJV1-2450-L17RL	HFJV1-E2450-L17RL	A	G/G(O)	-18dB	-15.5dB	-13.6dB	-12dB	-1.1dB
HFJV1-2450-L21RL	HFJV1-E2450-L21RL	A	Y/G	-18dB	-15.5dB	-13.6dB	-12dB	-1.1dB
HFJV1-2450-L55RL	HFJV1-E2450-L55RL	A	G(Y)/G(Y)	-18dB	-15.5dB	-13.6dB	-12dB	-1.1dB
HFJV1-2450-L77RL	HFJV1-E2450-L77RL	A	G(O)/G(O)	-18dB	-15.5dB	-13.6dB	-12dB	-1.1dB
HFJV1-2450-L78RL	HFJV1-E2450-L78RL	A	G(O)/O(G)	-18dB	-15.5dB	-13.6dB	-12dB	-1.1dB

Notes:

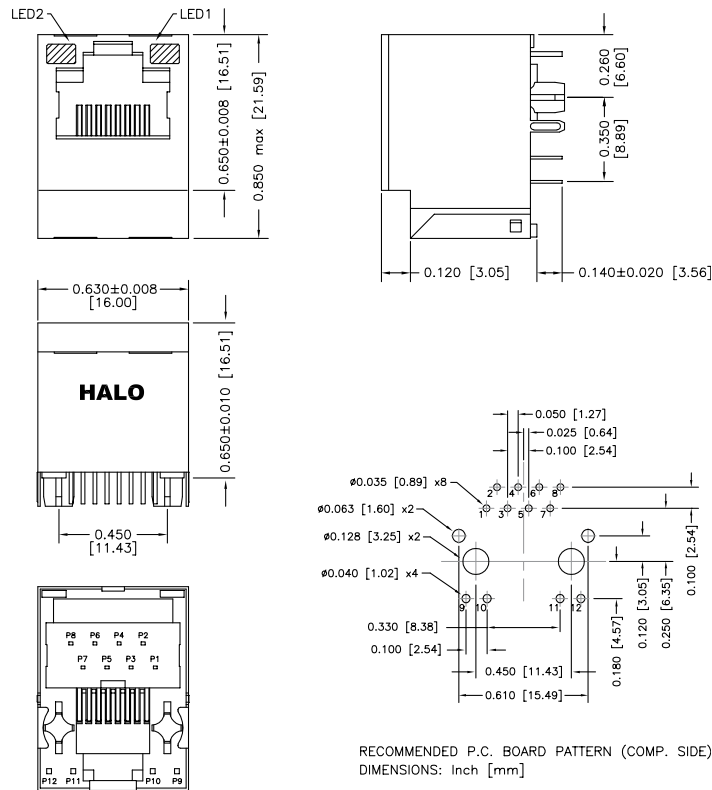
1. LED Key : G = Green, Y = Yellow, O = Orange, () = Bi-Color
2. Other LED colors, bi-colors, polarities, and current limiting versions available
3. Unshielded available
4. Part specific datasheets available

HALO 10/100BASE-T Ethernet Family of FastJacks

Circuit A



Mechanical



HALO
ELECTRONICS, INC.

2880 Lakeside Drive #116
Santa Clara, CA 95054
(650) 903-3800
www.haloelectronics.com

HALO® Electronics is a leading supplier of high quality communication magnetics including signal transformers, filters, CMR chokes, PoE power transformers, DC/DC converters, and integrated Ethernet connectors. HALO's leading edge technology solutions are manufactured in ISO9001 and ISO14001 factories offering high quality products at a competitive price.

© Copyright 2014 HALO Electronics, Inc. All rights reserved.

Revised 4/2014 Download the latest version at www.haloelectronics.com/pdf/fastjack-vertical-100baset.pdf

Mouser Electronics

Authorized Distributor

Click to View Pricing, Inventory, Delivery & Lifecycle Information:

[HALO Electronics:](#)

[HFJV1-2450-L12RL](#) [HFJV1-2450RL](#) [HFJV1-E2450RL](#) [HFJV1-E2450-L12RL](#) [HFJV1-2450-L11RL](#) [HFJV1-E2450-L11RL](#) [HFJV1-2450-L15RL](#) [HFJV1-E2450-L21RL](#) [HFJV1-E2450-L17RL](#) [HFJV1-E2450-L15RL](#) [HFJV1-2450-L78RL](#) [HFJV1-E2450-L55RL](#) [HFJV1-2450-L77RL](#) [HFJV1-2450-L21RL](#) [HFJV1-E2450-L78RL](#) [HFJV1-2450-L17RL](#) [HFJV1-E2450-L77RL](#) [HFJV1-2450-L55RL](#)